

Joie™

ECE R44.04:
Group 0+/1/2 (0-25kg)

stages™ fx

child restraint

- GB Instruction Manual
- PT Manual de instruções
- ES Manual de instrucciones
- FR Mode d'emploi
- DE Bedienungsanleitung



ECE R44.04: B1
ECE R44.04: ISOFIX

GB Congratulations

You have purchased a high quality, fully certified child safety child restraint. This product is suitable for the use of children weighing UNDER 25kg (approximately 7 years old or under).

Carefully read this Instruction Manual and follow the installing steps because this is the ONLY way to protect your child from serious injury or death in case of an accident, and to provide comfort to your child while using this product.

Keep this instruction manual for future reference.

Please Confirm

Make sure that your vehicle is equipped with 3-point retractor safety-belt.

Seat belts may be different in design and length according to maker, manufacturing date, and type of the vehicle. This child restraint is only suitable for use in the listed vehicles fitted with 3-point retractor safety-belts and approved to UN ECE regulation 16 or other equivalent standards. This child restraint is approved to UN ECE regulation 44, 04 series of amendments.

For warranty information, please visit our website at joiebaby.com

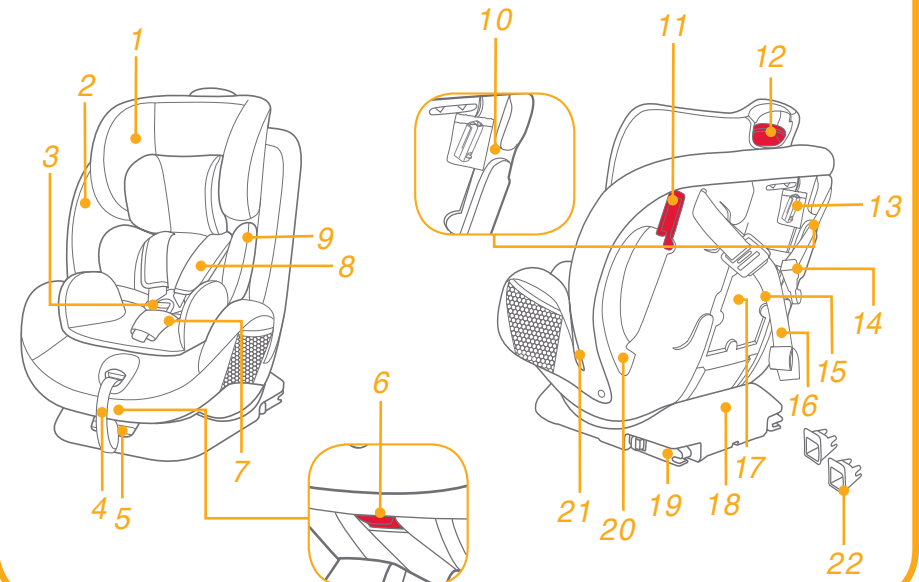
! Please keep the instruction manual in the storage compartment of the rear cover for future reference.

Parts List

Make sure all parts are available before assembly. If any part is missing, please contact local retailer. No tools are required for assembly.

- | | |
|---|---|
| 1 Head Support | 12 Head Support |
| 2 Seat Pad | Adjustment Lever |
| 3 Buckle | 13 Locking Clip |
| 4 Webbing Adjuster | 14 Tether Strap Adjuster |
| 5 ISOFIX Attachments Releasing Button | 15 Tether Hook |
| 6 Recline Adjustment Handle | 16 Top Tether Strap |
| 7 Crotch Pad | 17 Instruction Manual Storage Compartment |
| 8 Shoulder Harness | 18 Base |
| 9 Infant Insert | 19 ISOFIX Attachments Connector |
| 10 Rear-Facing Vehicle Shoulder Belt Slot | 20 Seat Belt Back Slot |
| 11 Lock-off Device | 21 Lap Belt Guiding |
| | 22 ISOFIX Attachments Guides |

Soft goods include Seat Pad, Crotch Pad, Shoulder Pad, Head Support and Infant Insert. Please make sure there are no missing parts. Please contact the retailer if anything is missing.



WARNING

- ! NO child restraint can guarantee full protection from injury in an accident. However, proper use of this child restraint will reduce the risk of serious injury or death to your child.
- ! This child restraint is designed ONLY for child weighing under 25kg (approximately 7 years old or under).
- ! DO NOT use forward facing mode before the child's weight exceeds 9kg.
- ! Any straps holding the restraint to the vehicle should be tight, that any straps restraining the child should be adjusted to the child's body, and that straps should not be twisted.
- ! DO NOT use or install this child restraint until you read and understand the instructions in this manual and in your vehicle owner's manual.
- ! Concern the danger of making any alterations or additions to the device without the approval of the Type Approval Authority, and a danger of not following closely the installation instructions provided by the child restraint manufacturer.
- ! DO NOT make any modification to this child restraint or use it along with component parts from other manufacturers.
- ! DO NOT use this child restraint if it has damaged or missing parts.
- ! DO NOT have your child in unfitted clothes when use this child restraint in rearward facing or forward facing mode, because this may prevent your child from being properly and securely fastened by the shoulder harnesses and the harnesses between thighs.
- ! When use this child restraint in rearward facing or forward facing mode, the safety belt must be used correctly, and ensure that any lap strap is worn low down, so that the pelvis is firmly engaged.
- ! DO NOT leave this child restraint unbelted or unsecured in your vehicle because unsecured child restraint can be thrown around and may injure occupants in a sharp turn, sudden stop, or collision. Remove it if not in regular use.
- ! Child is not left in the child restraint system unattended.
- ! Do not place the child restraint in seating positions where an active frontal airbag is installed if your child is still in rear facing mode.

WARNING

- ! NEVER use a second-hand child restraint or a child restraint whose history you do not know because they may have structural damage that endangers your child's safety.
- ! Please keep this child restraint away from sunlight, otherwise it may be too hot for the child's skin.
- ! NEVER use ropes or any other substitutes in place of seat belts in case of injuries from restraint.
- ! DO NOT use this child restraint as a regular chair as it tends to fall down and injure the child.
- ! The child restraint shall not be used without the soft goods.
- ! The soft goods should not be replaced with any other than the one recommended by the manufacturer, because the soft goods constitutes an integral part of the restraint performance.
- ! DO NOT put anything other than the recommended inner cushions in this child restraint.
- ! DO NOT carry this child restraint with a child in it.
- ! Any luggage or other objects liable to cause injuries in the event of a collision shall be properly secured.
- ! Do not allow the child restraint harness or buckles to become trapped or caught in the vehicle seat or door.
- ! The device should be changed when it has been subject to violent stresses in an accident.
- ! Remove this child restraint from the vehicle seat when it is not in use for a long period of time.
- ! To avoid suffocation, remove plastic bag and packaging materials before using this product. The plastic bag and packaging materials should then be kept away from babies and children.
- ! Consult the distributor for issues concerning maintenance, repair and part replacement.
- ! DO NOT use any load bearing contact points other than those described in the instructions and marked in the child restraint.
- ! Frequently check the ISOFIX attachments guides for dirt and clean them if necessary. Reliability can be effected by ingress of dirt, dust, food particles etc.

WARNING

! DO NOT install this child restraint under the following conditions:

1. Vehicle seats with 2-point safety belts.
2. Vehicle seats facing sideward or rearward with respect to the running direction of the vehicle.
3. Vehicle seats unstable during installation.

Emergency

In case of emergency or accidents, it is most important to have your child taken care of with first aid and medical treatment immediately.

Product Information

For Installation with 3-point-belt or with ISOFIX (ISOFIX attachments and top tether)

1. This is a 'Universal' child restraint. It is approved to UN ECE regulation 44, 04 series of amendments, for general use in vehicles and it will fit most, but not all, car seats.
2. A correct fit is likely if the vehicle manufacturer has declared in the vehicle handbook that the vehicle is capable of accepting a 'Universal' child restraint for this age group.
3. This child restraint has been classified as 'Universal' under more stringent conditions than those which applied to earlier designs which do not carry this notice.
4. If in doubt, please consult the child restraint manufacturer or the retailer.

For Installation with ISOFIX (ISOFIX attachments and top tether)

1. This is an ISOFIX CHILD RESTRAINT SYSTEM. It is approved to Regulation No. 44, 04 series of amendments for general use in vehicles fitted with ISOFIX anchorages systems. It is suitable for fixing into the seat positions of most cars.
2. It will fit vehicles with positions approved as ISOFIX positions (as detailed in the vehicle handbook), depending on the category of the child restraint and of the fixture.
3. Seat positions in other cars may also be suitable to accept the child restraint. If in doubt, consult either the child restraint manufacturer or vehicle manufacturer.
4. The ISOFIX size class for which this device is intended is B1.

For Installation with ISOFIX attachments and 3-point-belt

1. The child restraint is classified for "Semi-Universal" use.
2. Seat positions in other cars may also be suitable to accept the child restraint. If in doubt, consult either the child restraint manufacturer or vehicle manufacturer.

Product	Child Restraint
Model	C1719
Suitable for	Child weighing 0 - 25kg (approximately 0 - 7 years)
Mass Group	0+/1/2
Materials	Plastics, metal, fabrics
Patent No.	Patents pending

Choose the Installation Mode

Child's Weight	Installation Mode	Figure for Installation	Reference Age	Seat Position	Infant Insert Instructions
<18kg	Rearward Facing mode		<4 years	Position 5-6 	Infant insert must be used from 0-6 months to help restrain the child tightly
9-18kg	Forward Facing mode		1 year to 4 years	Position 1-4 	When installing the child restraint in the forward facing mode, do not use the infant insert.
15-25kg	Booster mode		3 years to 7 years	Position 1-4 	Remove crotch pad and infant insert and store harness in proper storage locations

Important

1. DO NOT use forward facing mode before the child's weight exceeds 9kg.
2. When the child is suitable for both forward facing and rearward facing modes, it is recommended to install this child restraint in the rearward facing mode as it is relatively safer.

Recline Adjustment

see images 3 - 4

Squeeze the recline adjustment handle, and adjust the child restraint to the proper position. 3

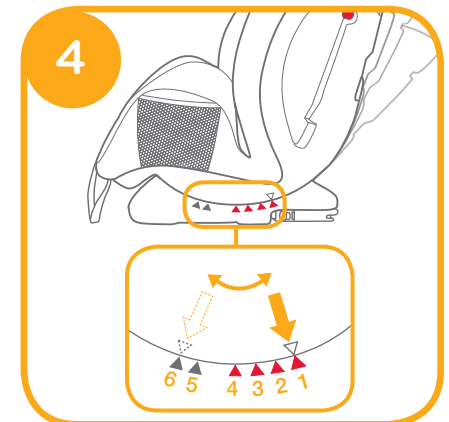
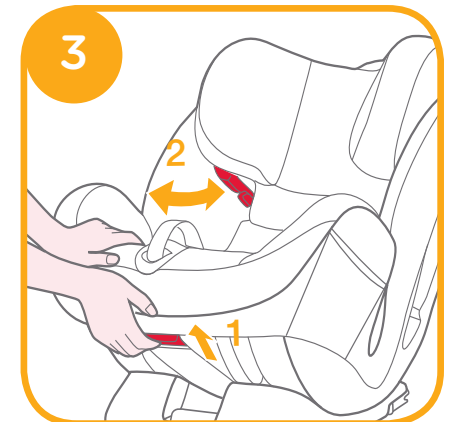
The recline angles are shown as 4

There are two recline angles 5-6 for rearward facing mode, they are marked as blue triangles.

There are four recline angles 1-4 for forward facing mode and booster mode, they are marked as red triangles.

Angle indication: with top and bottom triangles aligned.

! Make sure that vehicle seat belt will be retightened when adjusted in reclining position and vice versa if seat was already buckled up properly previously.



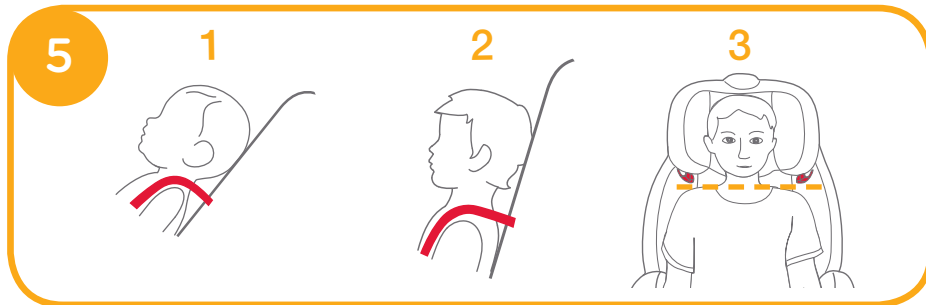
Height Adjustment for Head Support and Shoulder Harnesses

see images 5 - 6

Please adjust the head support and shoulder harnesses to proper height according to the child's height.

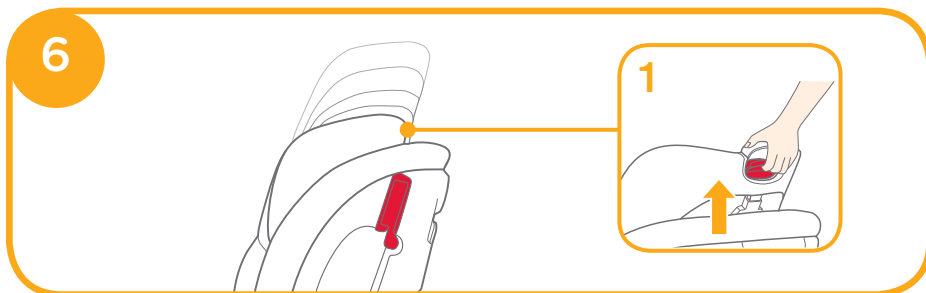
- ! When used in rearward facing mode, the shoulder harness height must be even with child's shoulders. 5 -1
- ! When used in forward facing mode, the shoulder harness height must be even with child's shoulders. 5 -2
- ! When used in booster mode, the shoulder belt guides must be even with child's shoulders. 5 -3

If the shoulder harnesses are not at proper height, the child may be thrown from the child restraint when there is an accident.



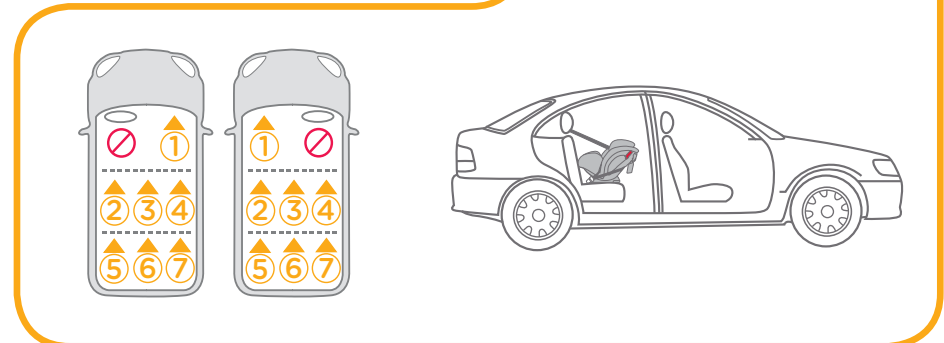
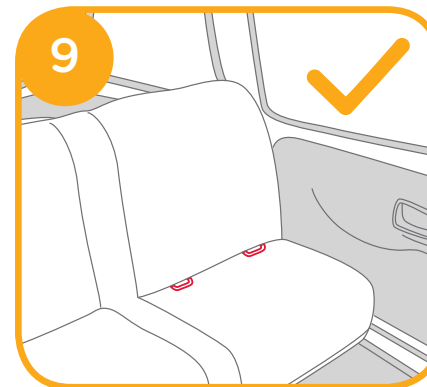
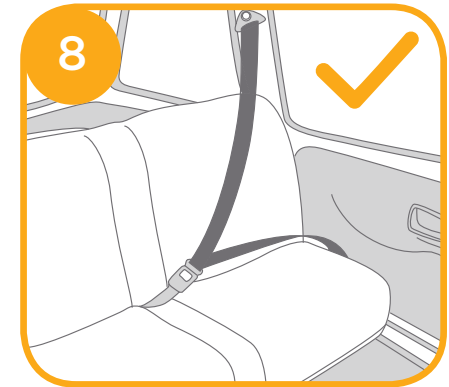
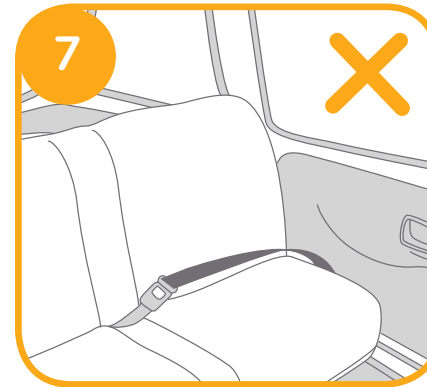
Squeeze the head support adjustment lever 6 -1 meanwhile pull up or push down the head support until it snaps into one of the 5 positions.

The head support positions are shown as 6



Concerns on Installation

see images 7 - 10



Rearward Facing Mode

(for Child under 18kg /Newborn-4 years old)

see images 11 - 23

! Please install the child restraint on the rear vehicle seat, and then put the child in the child restraint.

i. Installation for Rearward Facing Mode

! Please adjust the child restraint to proper angle (2 positions for rearward facing mode). Angle indication: With top triangle and blue triangle aligned.

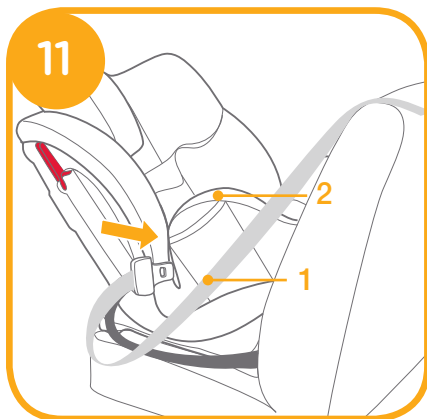
! Make sure the shoulder harness is adjusted to proper height before installing this child restraint.

! When installing and adjusting the safety belts, make sure that both the shoulder belt and the waist belt are not twisted and will not stop the safety belts from functioning properly.

1. Remove infant insert.

! Vehicle waist belt must pass underneath infant insert.

2. Pass the vehicle waist belt 11 -1 over lap belt guidings, and then engage the vehicle buckle tongue into the buckle. 12



3. Install the vehicle shoulder belt in the two rear-facing vehicle shoulder belt slots at the back of the seat shell. 13

! Vehicle shoulder belt must pass through the rear-facing vehicle shoulder belt slots.

! The locking clip is used only when the child restraint is used in the rearward facing mode.

! The locking clip will make the child restraint safer.

! Please replace the locking clip and string in the bag when they are not in use.

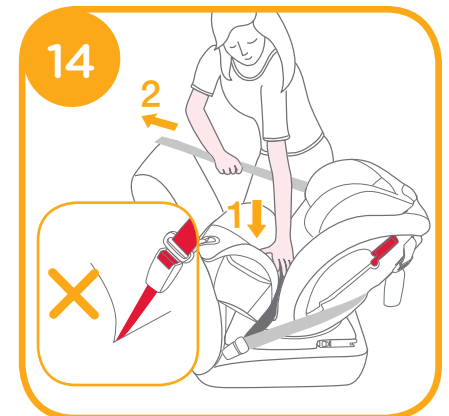
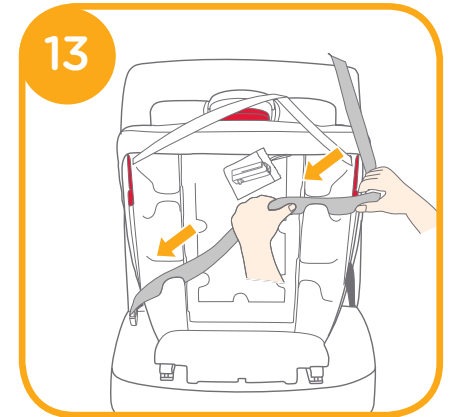
4. While pressing the child restraint, pull the belts to fasten the child restraint tightly and securely. 14

! The child restraint can not be used if the vehicle safety belt buckle (female buckle end) is too long to anchor the child restraint securely.

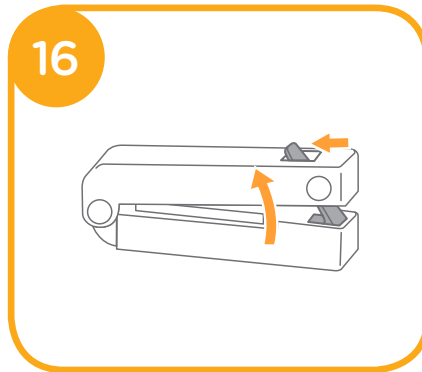
! Please check by moving the child restraint back and forth.

5. Take the locking clip out of the bag. 15

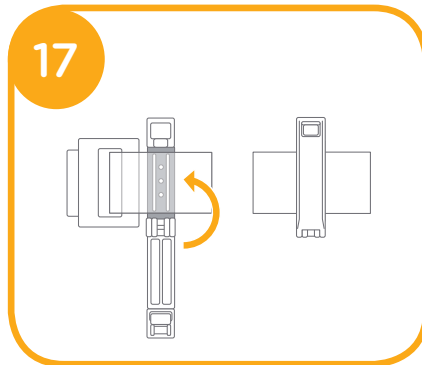
! When not in use, Top Tether MUST be properly stored. To make sure the top tether is properly stored away, remove any slack in strap to avoid the top tether swinging around when the vehicle is in progress. 40



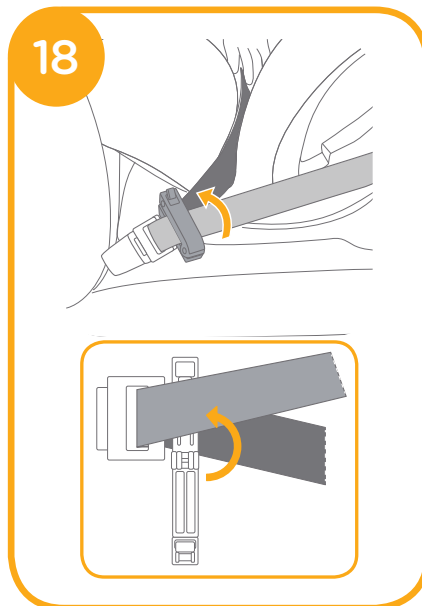
6. Press button to open the locking clip. **16**



7. Thread the diagonal belt through the locking clip, and then fasten the locking clip. **17**



8. Refasten the locking clip. **18**
! Please check if child restraint is installed tightly by moving the child restraint back and forth at the vehicle belt path. Please reference vehicle owner's manual for more information. (Child restraint should not move more than 25mm/1").

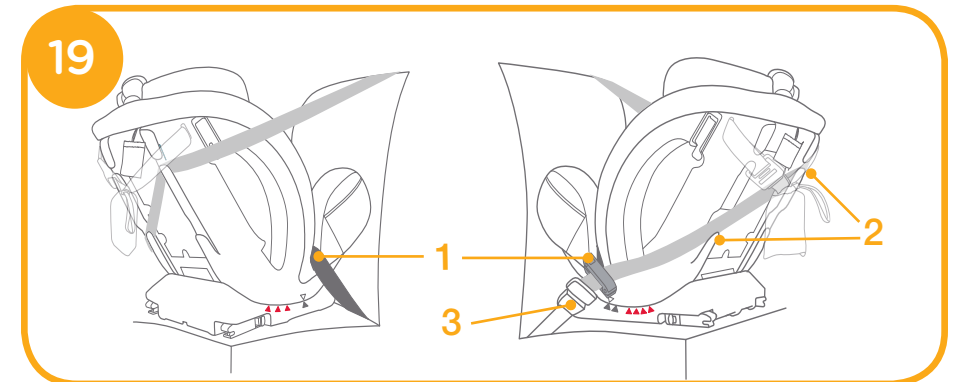


Correctly assembled vehicle belt is shown as **19**

! Waist belt passes through the lap belt guidings , as **19 -1**

! Shoulder belt must passes through the rear-facing vehicle shoulder belt slot, as **19 -2**

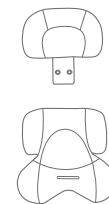
! The vehicle buckle tongue is engaged with the buckle correctly, as **19 -3**



ii. Securing your Child in the Child Restraint Use Infant Insert



We recommend using the full infant insert while the baby is 0-6 months or until they outgrow the insert. The infant insert increases side impact protection.

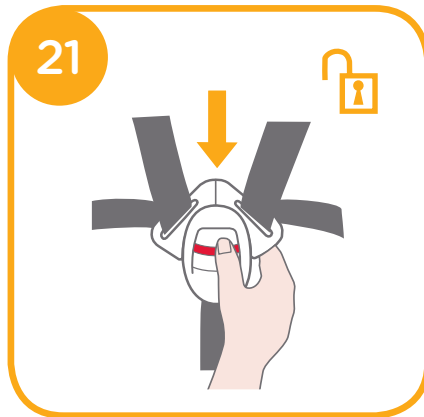


Detach the snaps on the head support to remove the head portion of the insert.

1. While pressing the harness adjustment button, pull completely the two shoulder harnesses of the child restraint. 20

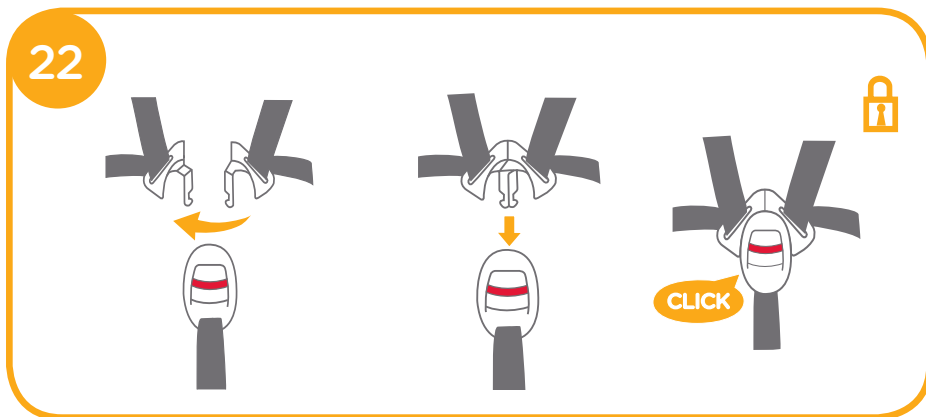


2. Press the red button to disengage the buckle. 21



3. Place the infant insert in the child restraint, and then place the child in the child restraint and pass both arms through the harnesses.

4. Engage the buckle. 22



5. Pull down the adjustment webbing and adjust it to the proper length to make sure your child is snugly secured. 23



! After the child is seated, recheck whether the shoulder harnesses are at the proper height.

! Make sure the space between the child and the shoulder harness is about the thickness of one hand.

Forward Facing Mode

(for Child between 9-18 kg / 1-4 years old)

see images 24 - 43

! Please install the child restraint on the vehicle seat, and then put the child in the child restraint.

i. Installation for Forward Facing Mode

! Please adjust the child restraint to proper angle (4 positions for forward facing mode). Angle indication: With top triangle and red triangle aligned.

! Please adjust the shoulder harnesses to proper height before installing the child restraint.

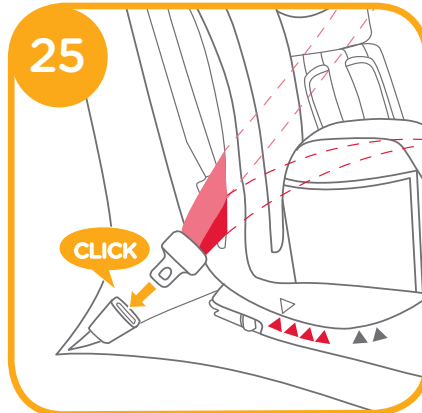
! When installing and adjusting the safety belts, make sure that both the shoulder belt and the waist belt are not twisted and will not keep the safety belts from being properly positioned.

a. For installation with 3-point-belt

1. Thread the safety belt through two seat belt back slots at the back of the child restraint. 24



2. Buckle the safety belt. 25



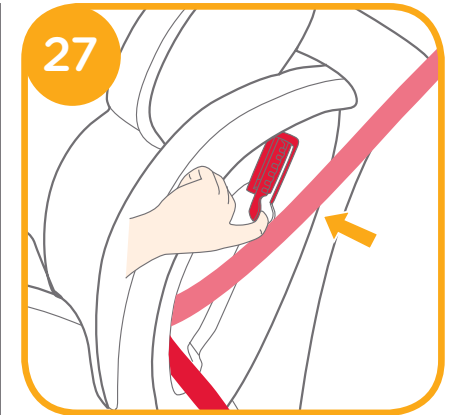
3. While pressing the child restraint, pull the belts to fasten the child restraint tightly and securely. 26

! The child restraint can not be used if the vehicle safety belt buckle (female buckle end) is too long to anchor the child restraint securely. 26 -1



4. Open the lock-off device and insert the safety belt through it. 27

! Please check if the child restraint is installed tightly by moving the child restraint back and forth at the vehicle belt path. (child restraint should not move more than 25mm/1").

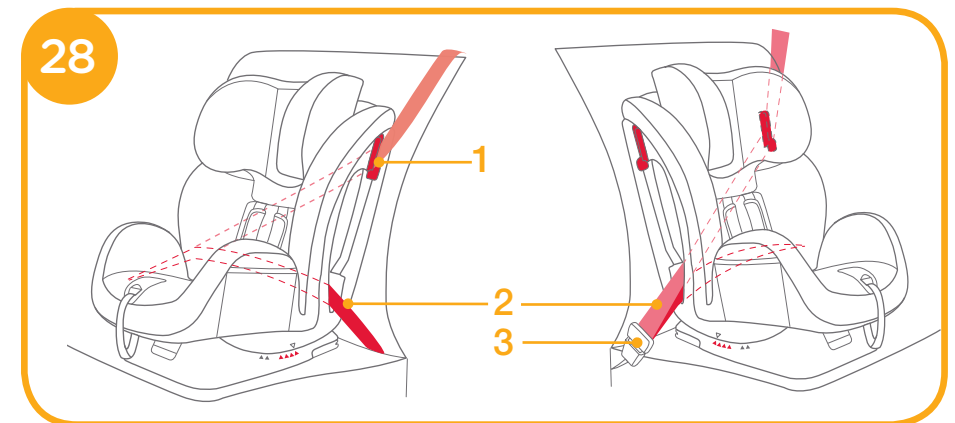


The assembled safety belt is shown as 28

! Shoulder belt passes through Lock-off Device, as 28 -1

! Waist belt passes through the seat belt back slots, as 28 -2

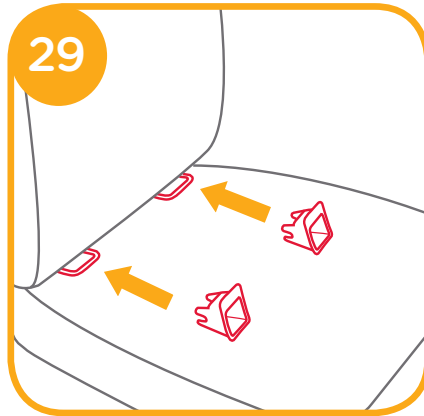
! The vehicle buckle tongue is engaged with the buckle correctly, as 28 -3



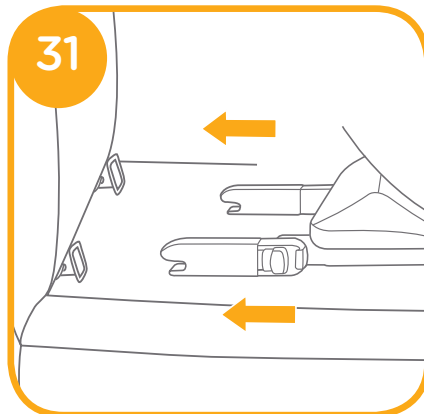
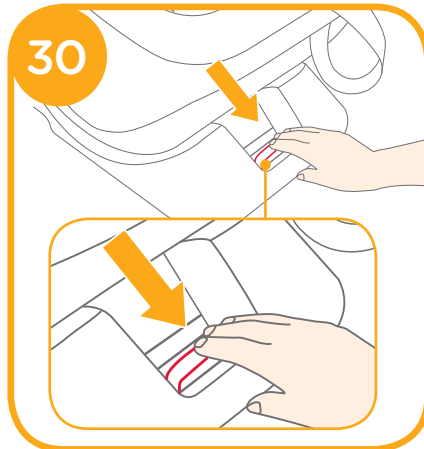
! When not in use, Top Tether MUST be properly stored. To make sure the top tether is properly stored away, remove any slack in strap to avoid the top tether swinging around when the vehicle is in progress. 40

**b. For installation with ISOFIX
(ISOFIX attachments and top tether)**

1. Fit the ISOFIX attachments guides with the ISOFIX attachments anchor points. The ISOFIX attachments guides can protect the surface of the vehicle seat from being torn. They can also guide the ISOFIX attachments connectors. 29



2. Extend the ISOFIX attachment connectors by activating the release button 30 whilst pulling on the connector 31



! Make sure that both ISOFIX attachments connectors are securely attached to their ISOFIX attachments anchor points. The colors of the indicators on both ISOFIX attachments connectors should be completely green. 32

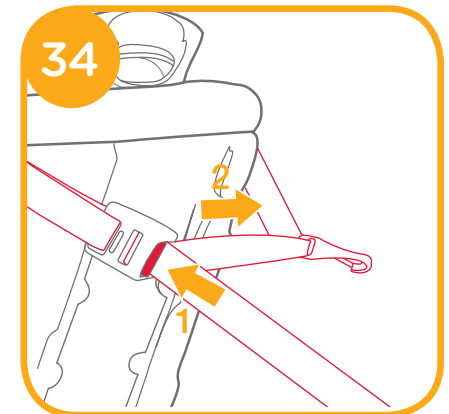
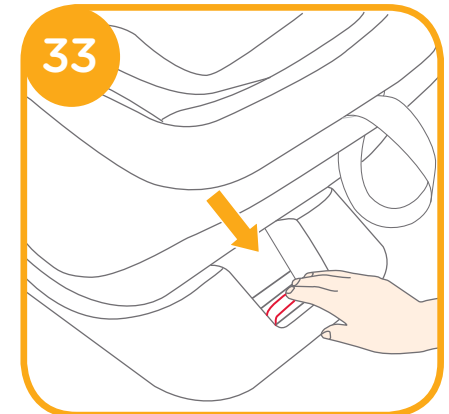
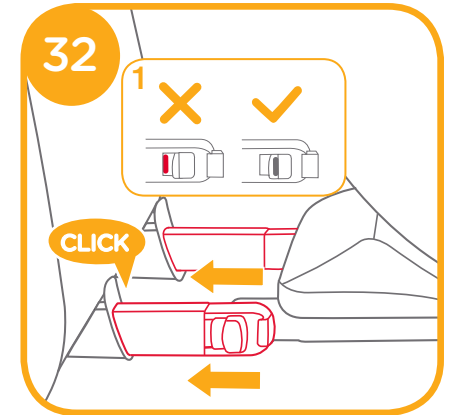
! The ISOFIX attachments connectors must be attached and locked onto the ISOFIX attachments anchor points.

! Check to make sure the child restraint is securely installed by pulling on the both ISOFIX attachments connectors.

! Select the desired recline position before moving back against the vehicle seat, as once the top tether is attached and tensioned, the recline angle will not be able to change without adjustment to the top tether.

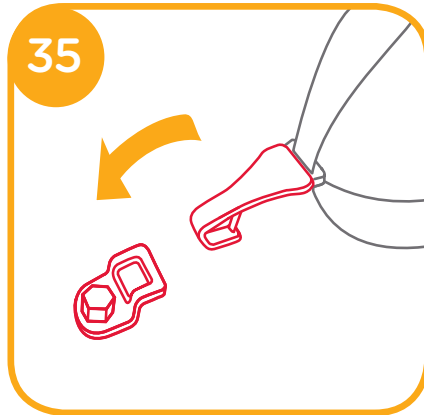
3. Press the ISOFIX attachments release button and push the child restraint back against the vehicle seat until tight. 33

4. To extend Top Tether for use, press button on Tether Adjuster and pull to lengthen. 34



5. Connect the tether hook securely to the anchorage fitting. **35**

! USE Top Tether for forward facing mode installation if vehicle is equipped with a Tether anchorage fitting and vehicle requirements are met (see vehicle owner's manual).



6. Correctly assembled ISOFIX (ISOFIX attachments and top tether) is shown as **36**

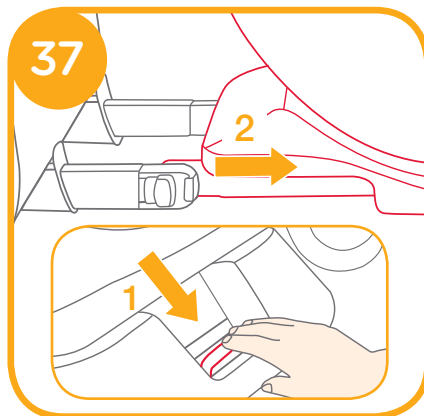
! Make sure that the tether hook is securely attached to the anchorage fitting. The colors of the indicators on tether strap adjuster should be completely green. **36 -1**



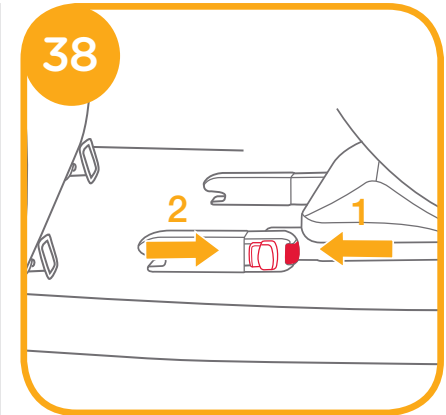
! If recline angle is adjusted, check the tension on the top tether, or loosen to adjust angle then re-tension.

Removing the base

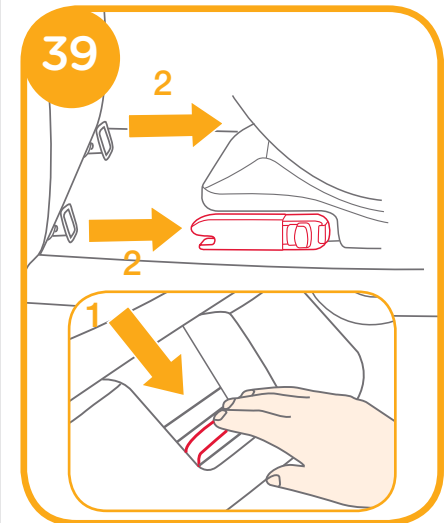
1. To remove from the vehicle press the ISOFIX attachments release button **37 -1** and pull the base back from the seat. **37 -2**



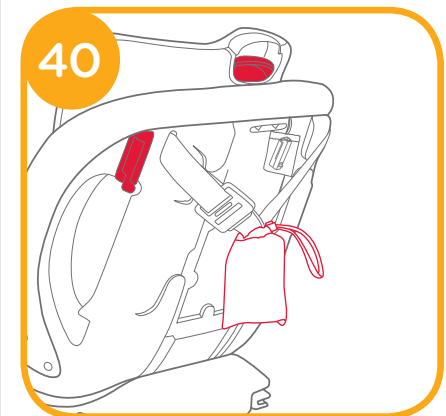
2. Then press and release the connectors from the vehicle's ISOFIX. **38**



! The ISOFIX attachments are retracted completely back into base. **39**



! When not in use, Top Tether MUST be properly stored. To make sure the top tether is properly stored away, remove any slack in strap to avoid the top tether swinging around when the vehicle is in progress. **40**



! When the pocket is not used, please store it properly.

ii. Securing your Child in the Child Restraint

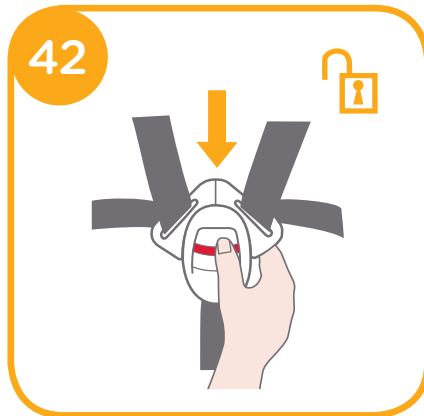
! When installing the child restraint in the forward facing mode, do not use the infant insert.

1. While pressing the harness adjustment button, pull completely the two shoulder harnesses of the child restraint. 41



2. Press the red button to disengage the buckle. 42

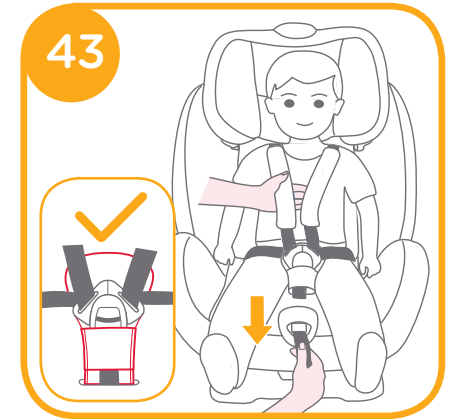
3. Place the child in the child restraint and engage the buckle.



4. Pull down the adjustment webbing and adjust it to the proper length so that your child is snugly secured. 43

! After the child is seated, recheck whether the shoulder harnesses are at proper height.

! Make sure the space between the child and the shoulder harness is about the thickness of one hand.



Booster Mode

(for Child 15-25kg / 3-7 years old)

see images 44 - 49

i. Installation for Booster Mode

! Please use only the vehicle seat belt when installing the child restraint in the booster mode. Do not use the infant insert or 5 point harness. Please store the shoulder harnesses, buckle and buckle tongues in respective storage compartments.

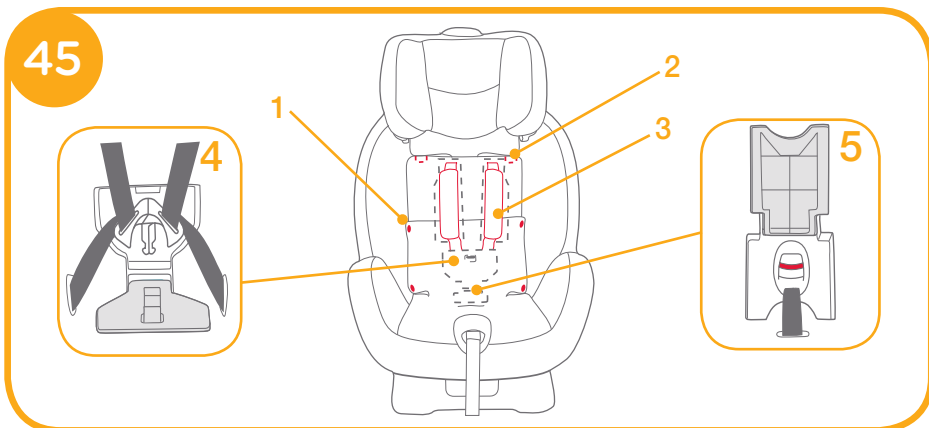
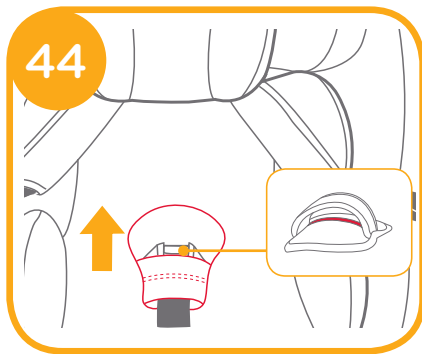
! Please adjust the shoulder harnesses to proper length before storing the shoulder harnesses and buckle in their storage compartments.

! Please adjust the child restraint to proper angle (4 positions for booster mode). Angle indication: With top triangle and red triangle aligned.

! When installing and adjusting the safety belts, make sure that both the shoulder belt and the waist belt are not twisted and will not keep the safety belts from being properly positioned.

1. Press the red button to disengage the buckle. 42
2. To remove the crotch pad, first locate the elastic on the inside of the crotch pad. Pull both the elastic and the crotch pad over the buckle to remove. 44
3. Remove the infant insert.

! When installing the child restraint in the booster mode, do not use the infant insert.



4. Detach the snaps 45 -1 and the hook and loop fastener on the seat pad. 45 -2
5. Lift the upper flap of seat pad upward and pull the lower flap forward. Then store the shoulder straps 45 -3 and buckle tongues in their storage compartments. 45 -4
6. Pull the buckle through the slot in the seat pad and then store the buckle in its storage compartment. 45 -5
7. Reattach the snaps 45 -1 and the hook and loop fastener 45 -2 to recover the seat shell. 46

! To convert back to forward facing mode from booster mode, please reverse the above steps.



ii. Securing your Child in the Child Restraint

a. For installation with 3-point-belt

1. Place the child in the child restraint and check whether the shoulder belt guides are at proper height.
2. Position shoulder belt through shoulder belt guide, pass waist belt through lap belt guidings. Fasten buckle and pull the vehicle belt to tighten. 47

! Shoulder belt must pass through shoulder belt guide. 48 -1

! Waist belt must pass through lap belt guidings.

! The child restraint can not be used if the vehicle safety belt buckle (female buckle end) is too long to anchor the child restraint securely. 47 -1

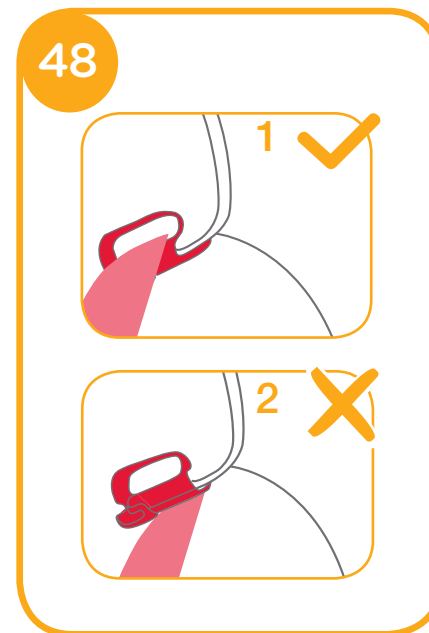
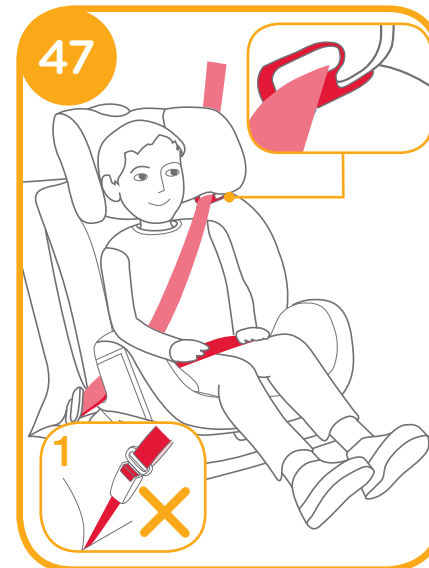
! Never use a vehicle waist-only belt across front of child.

! Do not use shoulder belt loose or positioned under arm.

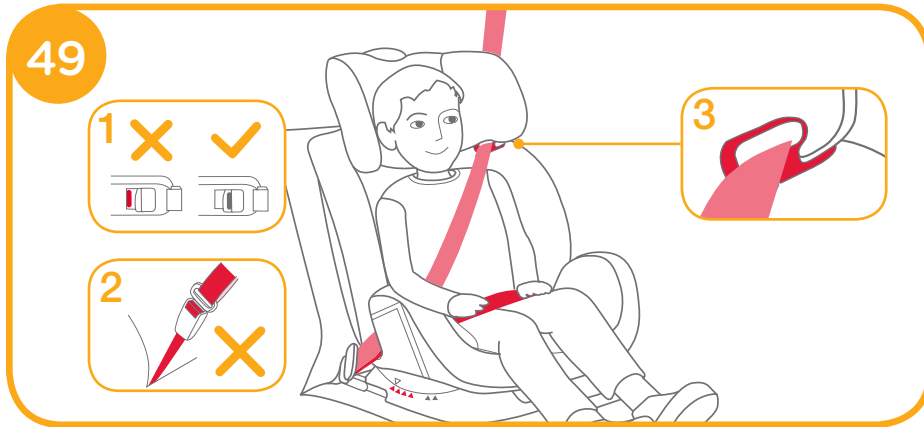
! Do not use shoulder belt behind child's back.

! Do not allow child to slide down in the child restraint in case of strangulation.

! When not in use, Top Tether MUST be properly stored. To make sure the top tether is properly stored away, remove any slack in strap to avoid the top tether swinging around when the vehicle is in progress. 40



b. For installation with 3-point-belt and ISOFIX attachments

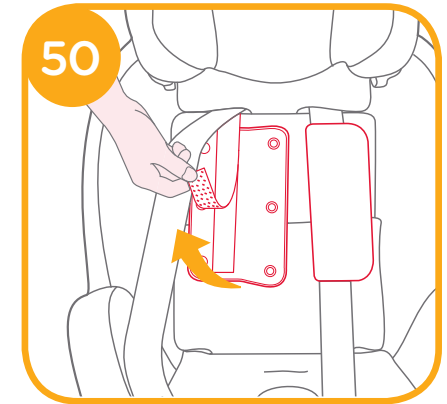


1. Installation with ISOFIX attachments is show as 29 - 33
 2. Place the child in the child restraint and check whether the shoulder belt guides are at proper height.
 3. Installation with 3-point-belt is show as 47 - 48
 4. Correctly assembled 3-point-belt and ISOFIX attachments is shown as 49
- ! Make sure that both ISOFIX attachments connectors are securely attached to their ISOFIX attachments anchor points. The colors of the indicators on both ISOFIX attachments connectors should be completely green. 49 -1
 - ! Check to make sure the child restraint is securely installed by pulling on the both ISOFIX attachments connectors.
 - ! Shoulder belt must pass through shoulder belt guide. 49 -3
 - ! Waist belt must pass through lap belt guidings.
 - ! The child restraint can not be used if the vehicle safety belt buckle (female buckle end) is too long to anchor the child restraint securely. 49 -2
 - ! Never use a vehicle waist-only belt across front of child.
 - ! Do not use shoulder belt loose or positioned under arm.
 - ! Do not use shoulder belt behind child's back.
 - ! Do not allow child to slide down in the child restraint in case of strangulation.
 - ! When not in use, Top Tether MUST be properly stored. To make sure the top tether is properly stored away, remove any slack in strap to avoid the top tether swinging around when the vehicle is in progress. 40

Detach Soft goods

see images 50

1. Press the red button to disengage the buckle.
 2. To remove the shoulder pads, first unsnap the pads then remove the webbing attached by the velcro. 50
 3. Remove the infant insert and crotch pad.
 4. Detach hook and loop fasteners 45 -2 on the head support from slots in vehicle shoulder belt guides, and then remove the head support cover.
 5. Detach the snaps on sides of seat pad. 45 -1
 6. Detach elastic tabs, located behind head support, from the seat shell.
 7. Detach the fabric attachment piece from the upper rear of seat shell.
 8. Pull the buckle through the slot in the seat pad and then remove seat pad from seat shell.
- ! To assemble soft goods, reverse the steps above.

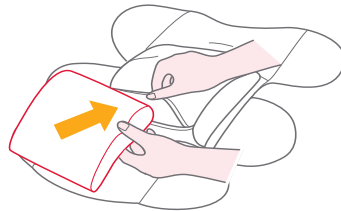


Maintenance

Note

- ! After removing the foam of infant insert, please store it somewhere that the child can not access it.
- ! Please wash the soft goods with cold water under 30°C.
- ! Do not iron the soft goods.
- ! Do not bleach or dry clean the soft goods.
- ! Do not use undiluted neutral detergent, gasoline or other organic solvent to wash the child restraint. It may cause damage to the child restraint.
- ! Do not wring the soft goods out. It may leave the soft goods with wrinkles.
- ! Please hang dry the soft goods in the shade.
- ! Please remove the child restraint from the vehicle seat if not in use for a long period of time. Put the child restraint in the shade and somewhere your child can not access it.
- ! Remove foam insert from infant insert before machine washing.

Please reference the Illustration when re-inserting foam insert into infant insert.



PT Parabéns

Você adquiriu uma cadeirinha infantil, totalmente certificada de alta qualidade. Este produto é adequado para o uso de crianças pesando MENOS de 25kg (aproximadamente 7 anos de idade ou menos).

Leia este Manual de instruções atentamente e siga as etapas de instalação porque esta é a única maneira de proteger seu filho de ferimentos graves ou morte no caso de um acidente, e para proporcionar conforto para sua criança enquanto utilizar este produto:

Mantenha este manual de instruções para referência futura.

Confirme

Certifique-se de que seu veículo é equipado com de 3 pontos.

Cintos de segurança retrátil Cintos de segurança pode ser diferente em design e comprimento de acordo com data, de fabricação e tipo de veículo. Esta cadeirinha infantil é adequada apenas para uso nos veículos ajustados com cintos de segurança retráteis de 3 pontos e aprovados pelo Regulamento ECE UN N° 16 ou outras normas equivalentes. Esta cadeirinha infantil é aprovada pelo regulamento UN ECE 44, série 04 de alterações.

Para informações sobre a garantia, por favor visite nosso website em joiebaby.com

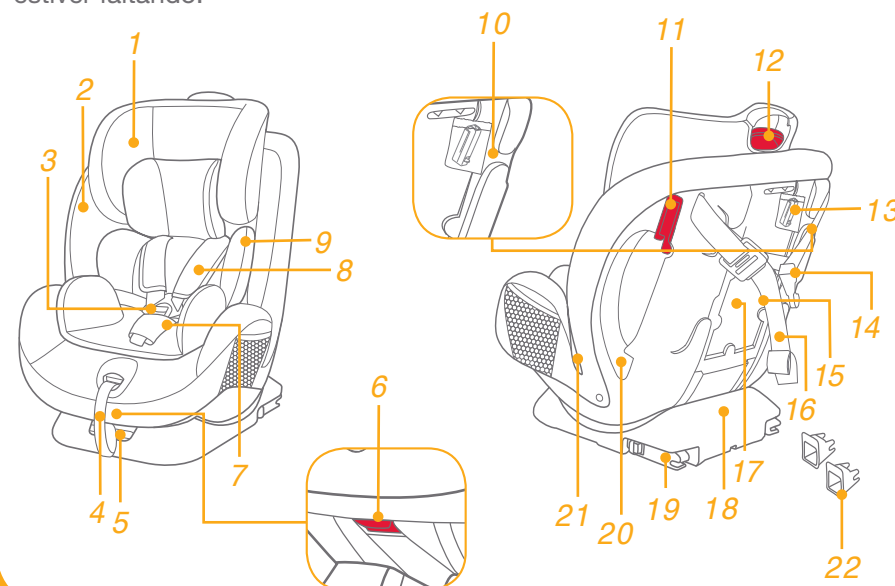
! Mantenha este manual de instruções no compartimento de armazenamento da tampa traseira para referência futura.

Lista de Peças

Certifique-se de que todas as peças estão disponíveis antes da montagem. Se alguma peça estiver faltando, entre em contato com o representante local. Não são necessárias ferramentas para a montagem.

- | | |
|---|--|
| 1 Suporte de cabeça | 12 Suporte de cabeça Alavanca de ajuste |
| 2 Almofada do assento | 13 O grampo |
| 3 Fivela. 4 Regulagem do tecido | 14 Ajuste de tiras |
| 5 Fixações ISOFIX Botão | 15 Gancho de tiras |
| 6 Alça de ajuste de reclinção | 16 Tira superior |
| 7 Almofada de virilha | 17 Manual de Instruções Compartimento de armazenagem |
| 8 Cinto de ombro 9 Encaixe infantil | 18 Base |
| 10 Revestimento traseiro do veículo - Ranhura do cinto de ombro | 19 Conector das Fixações ISOFIX |
| 11 Dispositivo de destravamento | 20 Guia do cinto de segurança |
| | 21 Abertura do cinto de segurança |
| | 22 Guias das Fixações ISOFIX |

As partes macias incluem Encosto do assento, Gancho do assento, Apoio para cabeça e Encaixe para crianças. Por favor, certifique-se de que não há nenhuma peça faltando. Favor contate o vendedor se algo estiver faltando.



ALERTA

- ! **NENHUMA** cadeirinha infantil pode garantir proteção total contra lesões em um acidente. No entanto, o bom uso deste sistema de Assento para crianças vai reduzir o risco de ferimentos graves ou morte para o seu filho.
- ! Esta cadeirinha infantil é projetada **APENAS** para crianças pesando menos de 25kg (aproximadamente 7 anos de idade ou menos).
- ! **NÃO** utilize o modo virado para frente antes que a criança atinja o peso de 9 kg.
- ! Qualquer tira segurando a cadeirinha no veículo deve ser apertada, qualquer cinto retendo a criança deve ser ajustado ao corpo da criança e não devem ser torcido.
- ! **NÃO** utilize ou instale esta cadeirinha infantil até que você tenha lido e entendido as instruções neste manual e no manual do proprietário de seu veículo.
- ! Observe o perigo de fazer quaisquer modificações ou adições ao dispositivo sem a aprovação da autoridade homologadora e um perigo de não seguir atentamente as instruções de instalação fornecidas pelo fabricante do dispositivo de Assento.
- ! **NÃO** faça qualquer alteração nesta cadeirinha infantil nem a use juntamente com componentes de outros fabricantes.
- ! **NÃO** utilize esta cadeirinha infantil se houver peças danificadas ou faltando.
- ! **NÃO** deixe o seu filho em roupas não ajustadas quando estiver usando esta cadeirinha infantil em modo bebê ou criança, pois isso pode impedir que o seu filho seja correta e firmemente preso pelo cintos de ombro e entre as coxas
- ! Quando usar esta cadeirinha infantil no modo bebê ou criança, o cinto de criança deve ser utilizado corretamente para garantir que qualquer correia de colo seja usada para baixo de modo que a pélvis fique firmemente presa.
- ! **NÃO** deixe esta cadeirinha infantil solta em seu veículo porque uma cadeirinha solta pode ser jogada ao redor e pode ferir os ocupantes em uma curva fechada, parada súbita ou colisão. Remova-a se não estiver em uso regular.
- ! Criança não é deixada na cadeirinha para crianças desacompanhada.
- ! **NÃO** coloque este assento infantil em posições de assento onde um airbag frontal ativo estiver instalado se seu filho ainda estiver no modo virado para frente.

ALERTA

- ! **NUNCA** utilize uma cadeirinha infantil de segunda mão ou uma cadeirinha cuja história você não conhece, visto que pode haver dano estrutural que compromete a segurança de seu filho.
- ! Por favor, mantenha seu assento infantil afastado da luz do sol, de outro modo ele pode ficar quente para a pele da criança.
- ! **NUNCA** utilize cordas ou quaisquer outros substitutos ao invés de cintos de segurança no caso de lesões da restrição.
- ! **NÃO** utilize esta cadeirinha infantil para crianças como uma cadeira normal, pois ela tende a cair e machucar a criança.
- ! O dispositivo de Assento não deve ser usado sem as partes macias.
- ! As partes macias não devem ser substituídas por qualquer uma além daquelas recomendadas pelo fabricante, pois as partes macias constituem uma parte integral do desempenho do assento.
- ! **NÃO** coloque nada além das almofadas internas recomendadas nesta cadeirinha infantil.
- ! **NÃO** carregue esta cadeirinha infantil com uma criança nela.
- ! Qualquer bagagem ou outros objetos susceptíveis de causar ferimentos em caso de colisão devem ser devidamente acondicionados.
- ! Não deixe que os cintos ou fivelas da cadeirinha infantil fiquem emperrados ou presos no assento do veículo ou porta.
- ! O dispositivo deve ser trocado quando sujeito a tensões violentas em um acidente.
- ! Remova a cadeirinha infantil do assento do veículo quando não estiver usando-o por um longo período.
- ! Para evitar asfixia, retire o saco de plástico e materiais de embalagem antes de usar este produto. O saco plástico e materiais de embalagem devem, então, ser mantidos afastados de bebês e crianças.
- ! Consulte o distribuidor para assuntos relacionados a manutenção, reparos e substituição de peças.
- ! **NÃO** utilize qualquer ponto de contato de sustentação de carga além daqueles descritos nas instruções e marcados na cadeirinha infantil.
- ! Verifique com frequência as guias ISOFIX para sujeira e limpe-as, se necessário. A confiabilidade pode ser afetada pela entrada de sujeira, poeira, partículas de alimento etc.

ALERTA

! NÃO instale esta cadeirinha infantil sob as seguintes condições:

1. Assentos de veículos com cintos de segurança de 2 pontos.
2. Assentos de veículos virados para a lateral ou para trás com relação à direção de curso do veículo.
3. Assentos de veículos instáveis durante a instalação.

Emergência

Em caso de emergência ou acidentes, é importante aplicar primeiros-socorros ao seu filho e buscar tratamento médico imediatamente.

Informações sobre o Produto

Para instalação com cinto de 3 pontos (Anexo ISOFIX e sistema ISOFIX)

1. Este é um sistema de segurança infantil 'Universal'. Ele foi aprovado pelo regulamento 44 da UN ECE , série de alterações 04, para uso geral em veículos e se ajustará em praticamente em todos os assentos de veículos.
2. Um ajuste correto é provável se o fabricante do veículo tiver declarado no manual do veículo que este é capaz de aceitar uma cadeirinha 'Universal' para este grupo de idade.
3. Esta cadeirinha infantil foi classificada como 'Universal', sob condições mais restritas do que aquelas aplicadas aos projetos anteriores que não portam esta notificação.
4. Em dúvida, consulte o fabricante de cadeirinhas infantis ou o vendedor.

Para a Instalação com anexos ISOFIX (ISOFIX e tira superior)

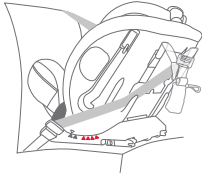

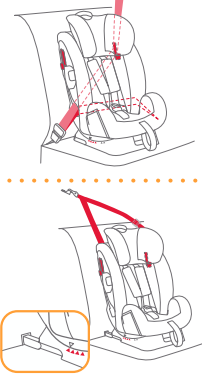

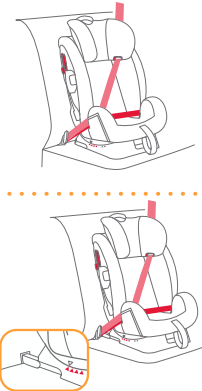

1. Este é um SISTEMA DE Assento PARA CRIANÇAS ISOFIX. É aprovado pela Regulamentação N.º 44, 04 e séries de emendas, para o uso geral em veículos com sistemas de ancoragem ISOFIX. É adequado para a fixação nas posições no assento da maioria dos carros.
2. Se encaixará aos veículos com as posições aprovadas como posições ISOFIX (conforme detalhado no manual de instruções do veículo), dependendo da categoria do sistema de Assento para crianças e o encaixe.
3. As posições do banco em outros carros também podem ser adequadas para aceitar este sistema de Assento para crianças. Em dúvida, consulte o fabricante de cadeirinhas infantis ou o vendedor.
4. A classe de tamanho ISOFIX para este dispositivo é B1.

Para a Instalação com sistema ISOFIX e com de cinto de 3 pontos

1. O dispositivo é classificado para uso "Semi-Universal".
2. As posições do banco em outros carros também podem ser adequadas para aceitar este sistema de Assento para crianças. Em dúvida, consulte o fabricante de cadeirinhas infantis ou o vendedor.

Produto	Cadeira Infantil
Modelo	C1719
Adequado para	crianças com peso de 0 - 25kg (aproximadamente 0 - 7 anos)
Grupo de massa	0+/1/2
Materiais	Plásticos, metal, tecido
N.º de Patente	Patentes pendentes

Seleção do Modo de Instalação

Peso da Criança	Modo de Instalação	Figura para Instalação	Idade de Referência	Posição do Assento	Instruções para inserção da criança
<18kg	Modo virado para trás		< 4 anos	Posição 5-6 	O encaixe infantil deve ser usado de 0 a 9 meses para ajudar a prender a criança firmemente
9 -18kg	Modo Criança		1 ano a 4 anos	Posição 1-4 	Ao instalar a cadeirinha infantil no modo criança, não use o encaixe infantil.
15 -25kg	Modo Junior		3 a 7 anos	Posição 1-4 	Remova a almofada de entepino e a inserção infantil e guarde o arnês em locais de armazenamento adequados

Importante

1. NÃO utilize o modo virado para frente antes que a criança atinja o peso de 9 kg.
2. Quando a criança é adequada para ambos os modos virados para frente e para trás, é recomendável instalar esta cadeirinha infantil no modo bebê, pois é relativamente mais seguro.

Ajuste de Inclinação

ver imagens 3 - 4

Aperte a alça de ajuste de inclinação, e ajuste o assento para a posição correta. 3

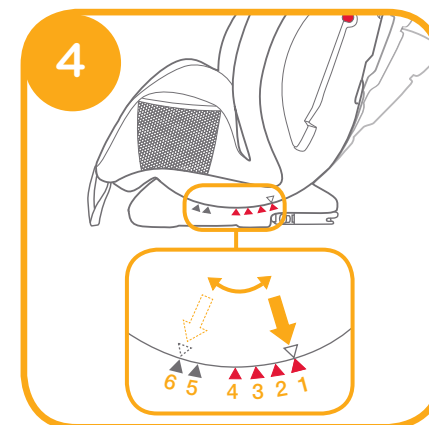
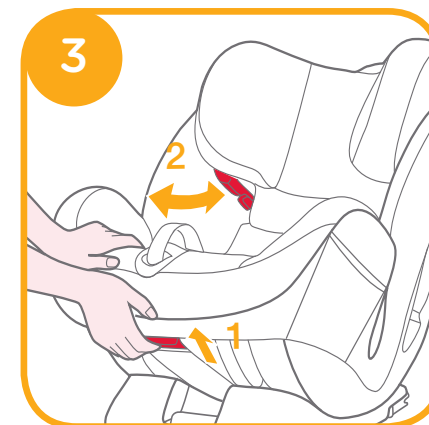
Os ângulos de inclinação são mostrados como 4

Existem que dois reclinam ângulos 5-6 para modo bebê, eles são marcados em azul triângulos.

Existem que quatro reclinam ângulos 1-4 para modo criança e modo junior. Eles são marcados como triângulos vermelhos.

Indicação do ângulo: com triângulos superiores e inferiores alinhados.

! Certifique-se que o cinto de segurança será reapertado quando ajustado na posição reclinada e vice versa se o assento já estava apertado corretamente anteriormente.



Ajuste de Altura

para Apoio da cabeça e Cinto de ombro

ver imagens 5 - 6

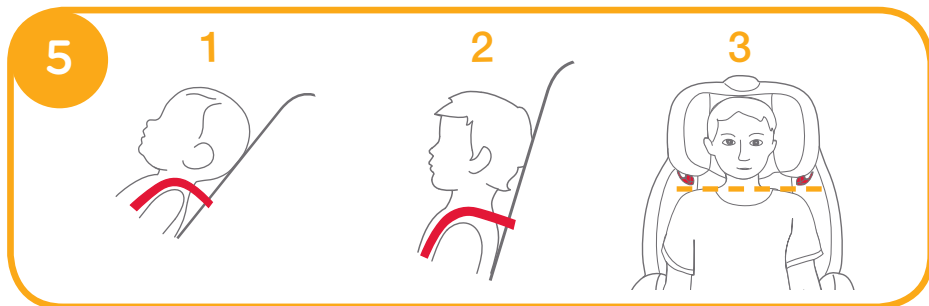
Ajuste o suporte de cabeça e cintos de ombro na altura apropriada de acordo com a altura da criança.

! Quando usado em modo bebê, a altura dos cintos de ombro deve ficar alinhada com os ombros da criança. 5-1

! Quando usado em modo bebê, a altura dos cintos de ombro deve ficar alinhada com os ombros da criança. 5-2

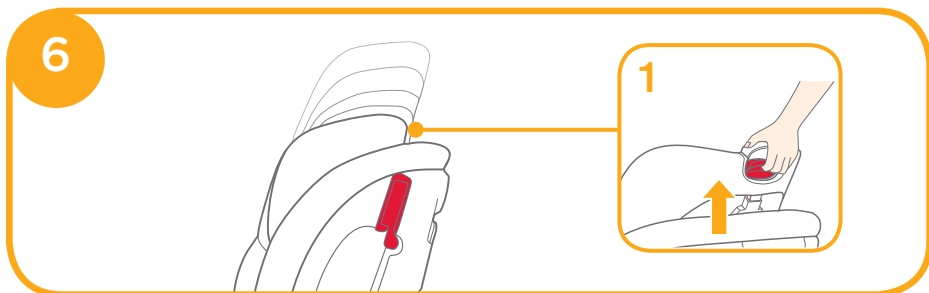
! Quando usado em modo júnior, os guias dos cintos de ombro devem ficar alinhados com os ombros da criança. 5-3

Se o cinto de ombro não estiver na altura apropriada, a criança pode ser arremessada da cadeirinha infantil, se houver um acidente.



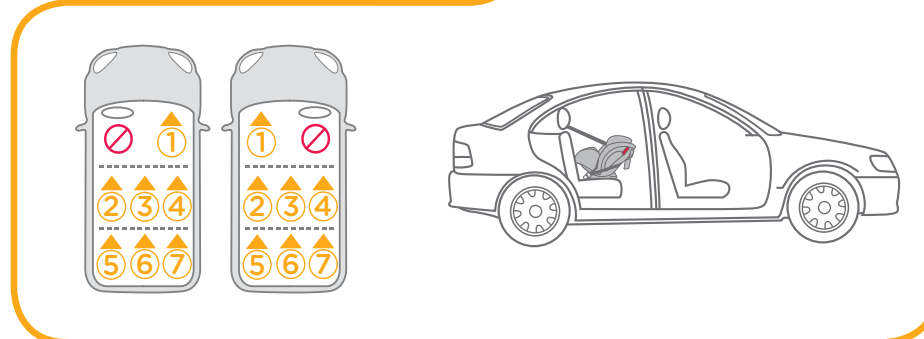
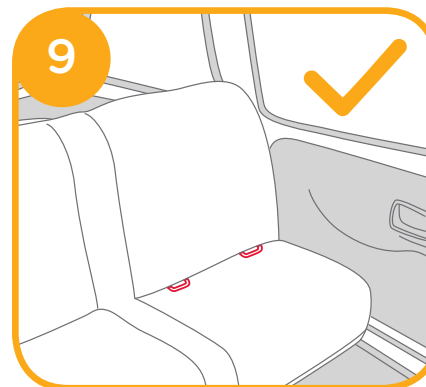
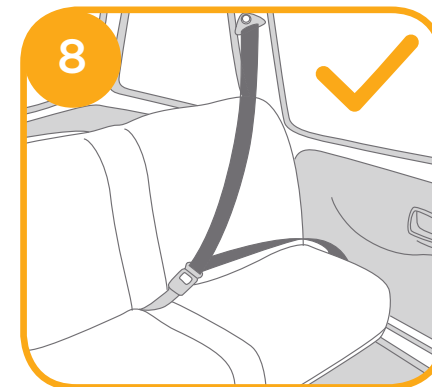
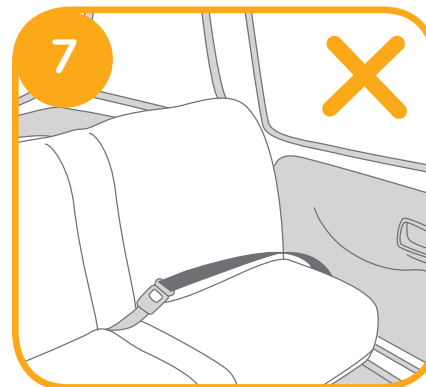
Aperte a alavanca de ajuste do suporte de cabeça 6-1 enquanto puxa ou empurra o suporte de cabeça até que ele encaixe em uma das 5 posições.

As posições do suporte de cabeça são apresentadas como 6



Observar ao instalar

ver imagens 7 - 10



Modo virado para trás

(Modo de Costas/para Criança entre 18 kg / Recém-nascido -4 anos)

ver imagens 11 - 23

! Por favor, instale a cadeirinha infantil no assento posterior do veículo e depois coloque a criança na cadeirinha infantil.

i. Instalação para Modo virado para trás

! Por favor, ajuste a cadeirinha infantil no ângulo apropriado (2 posições para modo bebê). Indicação do ângulo: Com o triângulo superior e triângulo azul alinhados.

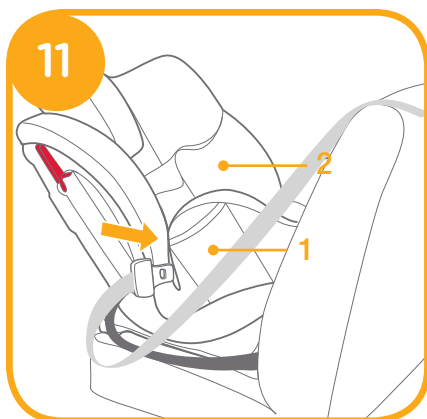
! Certifique-se de que o cinto de ombro esteja ajustada na altura apropriada antes de instalar esta cadeirinha infantil.

! Ao instalar e ajustar os cintos de segurança, certifique-se de que o cinto de ombro e o cinto de abdômen não estejam torcidos e não irão impedir que os cintos de segurança funcionem apropriadamente.

1. Retire o encaixe infantil.

! Cinto de cintura do veículo deve passar por baixo de inserção infantil.

2. Passe o cinto sobre 11 -1 as guias de cinto e depois engate a lingueta da fivela do veículo na fivela. 12



3. Instalar o cinto de ombro do veículo nas dois slots de cinto de ombro do veículo traseiro-revestimento na parte traseira do escudo do assento. 13

! Cinto de ombro do veículo deve passar através das ranhuras de cinto de ombro do revestimento traseiro do veículo.

! A pinça de bloqueio é usada somente quando a Assento é usada no modo traseiro.

! A pinça de bloqueio fará o assento mais seguro.

! Por favor, substitua o clipe de travamento e sequência no saco quando não estiverem em uso.

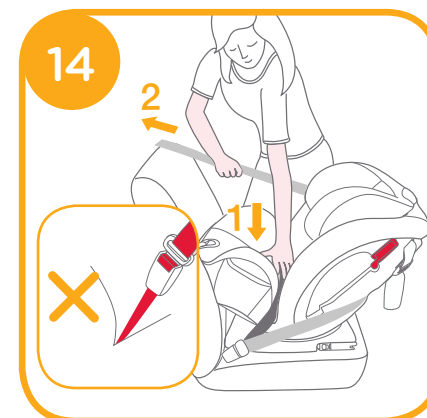
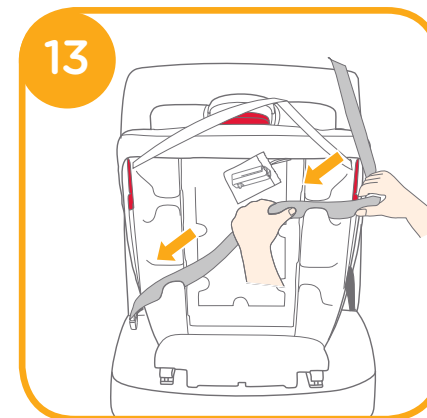
4. Enquanto pressiona o assento, Puxe os cintos para prender a criança apoio firmemente e com segurança. 14

! O sistema de cadeirinha infantil não pode ser usado se a fivela do cinto de segurança do veículo (final fêmea da fivela) for muito longa para ancorar o sistema de Assento para crianças com segurança.

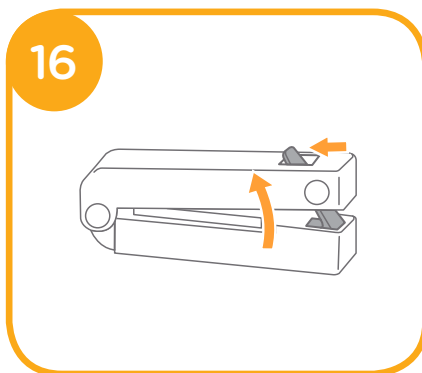
! Por favor verifique movendo a criança para frente e para trás.

5. Pegue a pinça de bloqueio da sacola 15

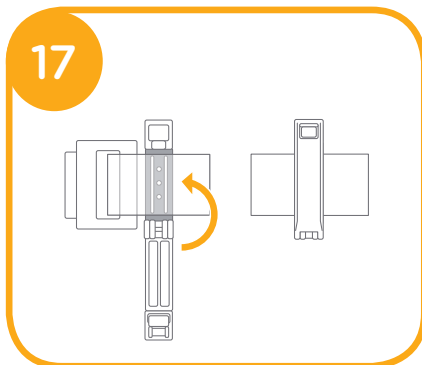
! Quando não estiver em uso, a tira superior deve ser armazenada corretamente. Para ter certeza de que a fixação da parte superior está devidamente armazenada, remova qualquer folga na tira de fixação da parte superior para evitar balançar quando o veículo estiver em movimento. 40



6. Pressione o botão para abrir a trava grampo 16

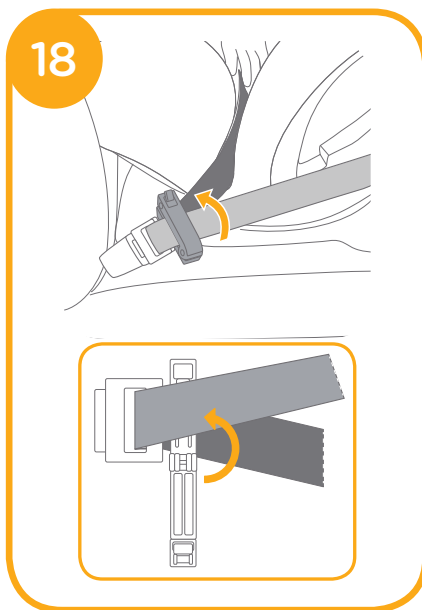


7. Passe o cinto diagonal através da mola de travamento e em seguida, prenda o grampo de travamento. 17



8. Apertá-novamente a pinça de bloqueio. 18

! Por favor, verifique se o Assento está instalado firmemente movendo o assento de trás e no caminho de cinto do veículo. Consulte manual do proprietário do veículo para obter mais informações. (Assento de criança não deve mover mais de 25mm/1").

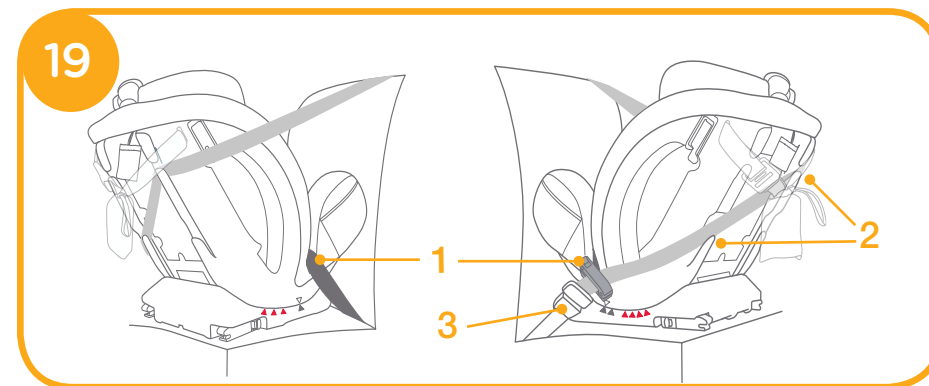


O cinto de segurança corretamente montado é mostrado como 16 19

! O cinto abdominal passa pelos guias de cinto, como 19-1

! Cinto de ombro do veículo deve passa através das ranhuras de cinto de ombro do revestimento traseiro do veículo 19-2

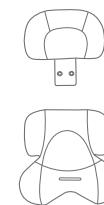
! A lingueta da fivela do veículo está engatada com a fivela corretamente, como 19-3



ii. Protegendo o seu Filho na Cadeira Use o Encaixe Infantil



Recomendamos o uso do encaixe infantil completo enquanto o bebê tiver de 0 a 6 meses ou até que ultrapasse o encaixe. O encaixe infantil aumenta a proteção contra choques laterais.

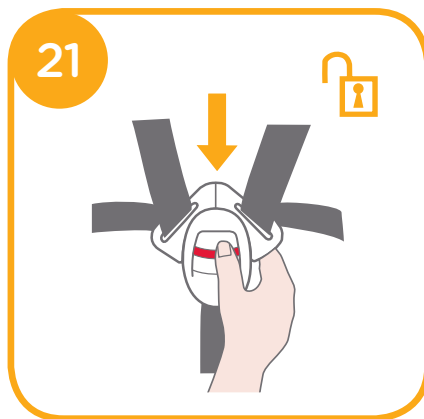


Solte o encaixe no suporte de cabeça para remover a parte do encaixe para a cabeça da criança.

1. Enquanto pressiona o cinto botão de ajuste, puxe os dois cintos de ombro da cadeirinha infantil 20

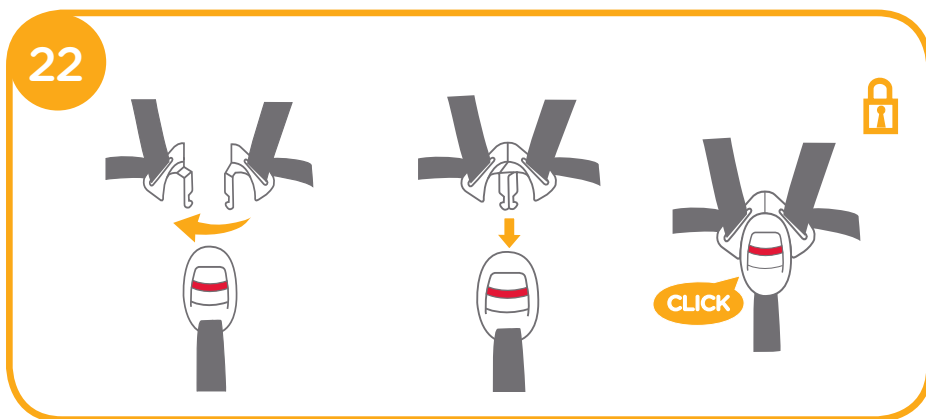


2. Pressione o botão vermelho para soltar a A fivela. 21



3. Coloque o encaixe na criança moderação e então coloque a criança no assento e o passe braços pelos cintos.

4. Prenda a fivela. 22



5. Puxe para baixo as correias de ajuste e ajuste-o para o tamanho adequado para Certifique-se que a criança está confortavelmente presa. 23

- ! Depois que a criança está sentada, verifique novamente se o cinto de ombro está na altura apropriada
- ! Certifique-se o espaço entre o criança e o cinto de ombro é sobre a espessura de uma mão.



Da criança modo

(em frente enfrentando Mode/para crianças entre 9-18kg/1-4 anos)

ver imagens 24 - 43

- ! Por favor, instale a cadeirinha infantil no assento do veículo e depois coloque a criança na cadeirinha.

i. Instalação para Modo Criança

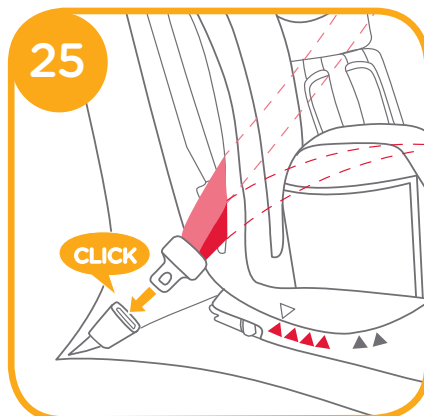
- ! Por favor, ajuste a cadeirinha infantil no ângulo apropriado (4 posições para modo criança). Indicação do ângulo: Com o triângulo superior e triângulo vermelho alinhados.
- ! Por favor, ajuste o cinto de ombro na altura apropriada antes de instalar a cadeirinha.
- ! Ao instalar e ajustar os cintos de segurança, certifique-se de que o cinto de ombro e o cinto de abdômen não estejam torcidos e não irão impedir que os cintos de segurança sejam apropriadamente posicionados.

a. Para instalação com cinto de 3 pontos

1. Passe o cinto de segurança através de dois slots de costas cinto na parte de trás Do assento infantil 24



2. Afivele o cinto de segurança. 25



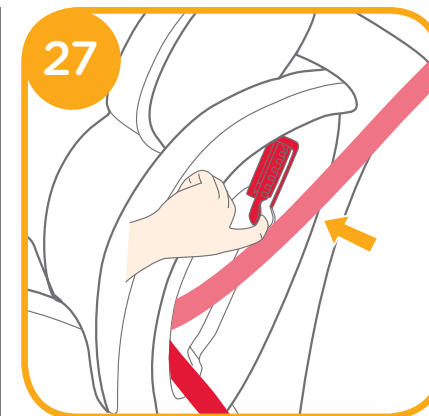
3. Enquanto pressiona o assento, Puxe os cintos para prender a criança apoio firmemente e com segurança. 26



! O assento infantil não pode ser usado, se a fivela do cinto de segurança do veículo (Ponta fivela fêmea) é muito tempo para Fixe o assento firmemente. 26 -1

4. Abrir o dispositivo de bloqueio e inserir o cinto de segurança através dele. 27

! Por favor, verifique se o dispositivo de Assento é instalado firmemente movendo o assento de trás e para frente no veículo caminho do cinto. (Assento de criança não deve mover mais de 25mm/1 ").

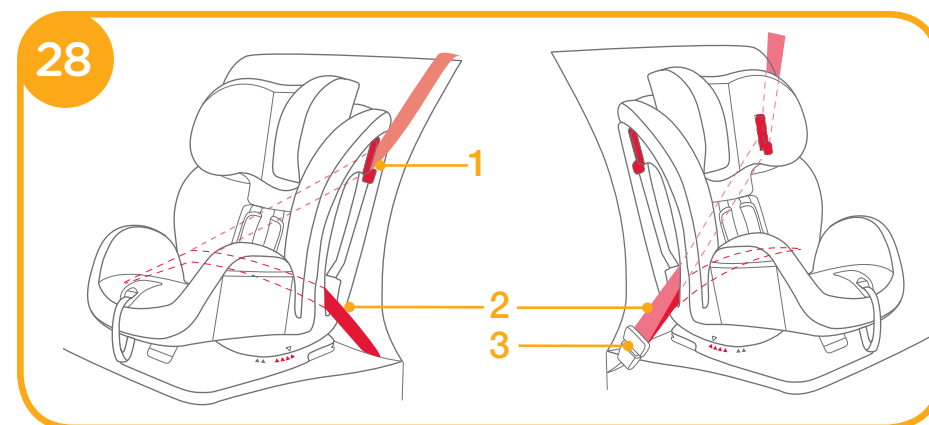


O cinto de segurança montado é mostrado como 28

! O cinto de ombro passa através do Dispositivo de Destravamento, como 28 -1

! O cinto da cintura passa pelas aberturas posteriores, como 28 -2

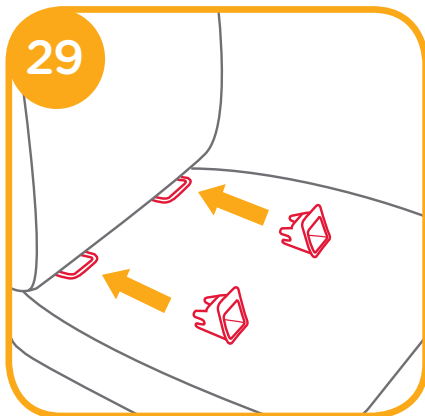
! A lingueta da fivela do veículo está engatada com a fivela corretamente, como 28 -3



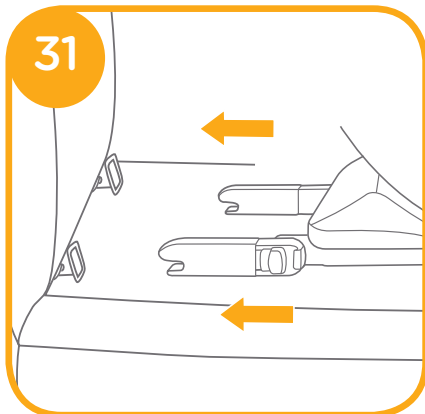
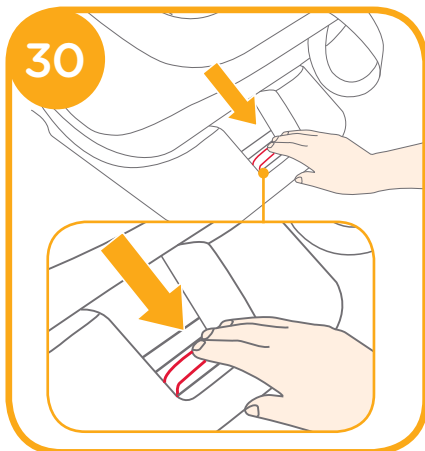
! Quando não estiver em uso, a tira superior deve ser armazenada corretamente. Para ter certeza de que a fixação da parte superior está devidamente armazenada, remova qualquer folga na tira de fixação da parte superior para evitar balançar quando o veículo estiver em movimento. 40

**b. para instalação com ISOFIX
(ISOFIX e cinto superior)**

1. Encaixe as guias ISOFIX com a âncora de anexos ISOFIX pontos Fixações ISOFIX guias podem proteger a superfície de o assento do veículo de ser rasgado. Elas também podem guiar os conectores ISOFIX. 29



2. Estender a fixação ISOFIX Conectores prendendo a lib. botão 30 ao mesmo tempo puxando a conector 31



! Certifique-se de que ambos ISOFIX conectores de anexos são Bem presos aos anexos ISOFIX pontos As cores dos indicadores em ambas as fixações ISOFIX devem ser completamente verde. 32

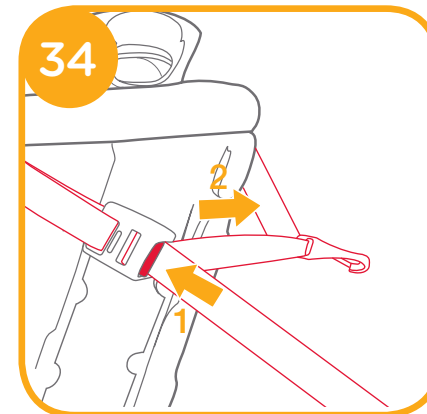
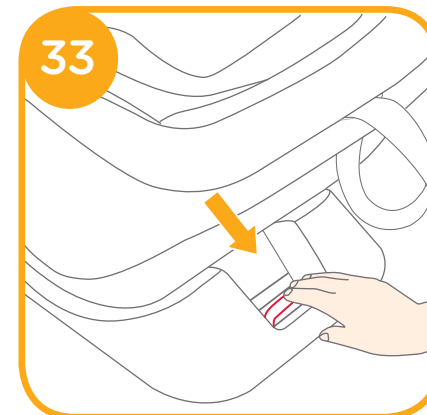
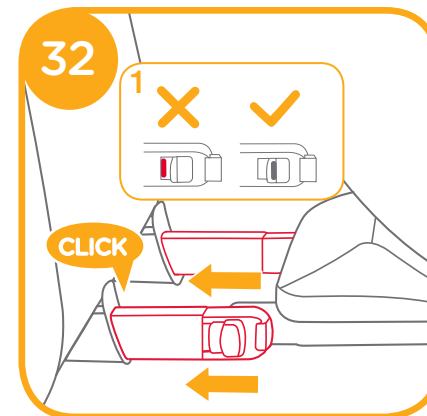
! Fixações ISOFIX conectores devem ser ligados e Presos nas fixações ISOFIX Ponto de âncora

! Certifique-se de que a criança Certifique-se de que a criança puxando a ambos ISOFIX conectores ISOFIX.

! Selecione a posição de inclinação desejada antes de voltar-se contra o assento do veículo, como uma vez o é anexado e esticado, o ângulo de reclinção não pode ser mudado sem ajuste para o tirante superior

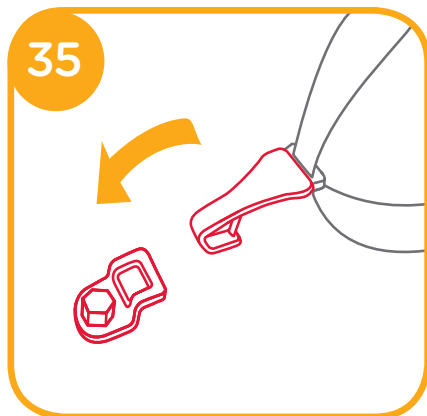
3. Pressione as fixações ISOFIX Botões de liberação de empurre a criança apoio de volta contra o veículo assento até apertar. 33

4. Para estender o tirante para uso, pressione botão de braço ajustador e puxe para comprimento. 34



5. Conectar-se a gancho de corda firmemente para o encaixe de fixação. 35

! USE o tirante para o modo Criança Instalação se veículo for equipado com um encaixe de fixação e Requisitos de veículos (consulte o manual do veículo)



6. ISOFIX Corretamente Montado (ISOFIX amarras) exibidos nos 36

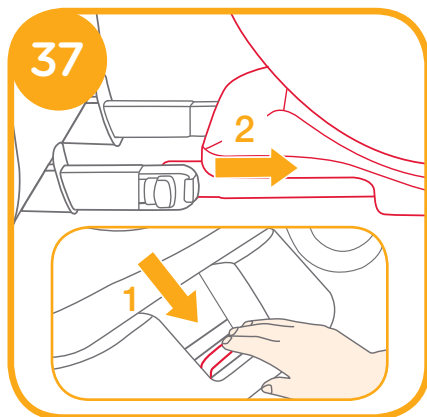
! Certifique-se de que o gancho de corda é Preso à âncora Encaixe. As cores dos indicadores no ajustador de cinta deve ser totalmente verde. 36 -1



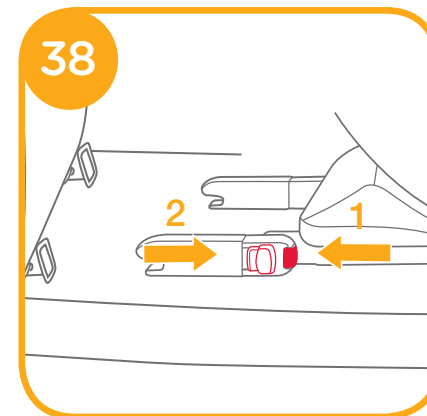
! Se o ângulo de reclinção for ajustado, verifique a tensão sobre a amarra, ou Solte para ajustar o ângulo em seguida re-tensione.

Removendo a base

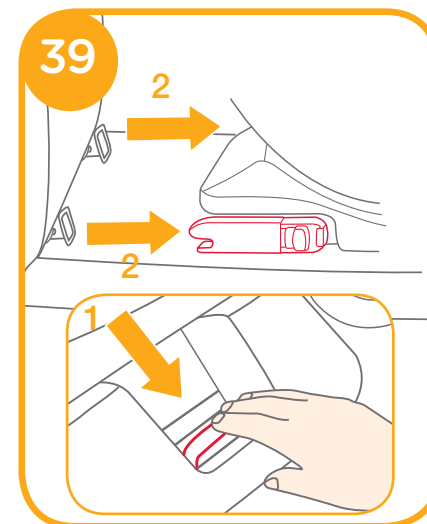
1. Para remover do veículo pressione as Fixações ISOFIX botão 37 -1 e puxe a base volta do assento 37 -2



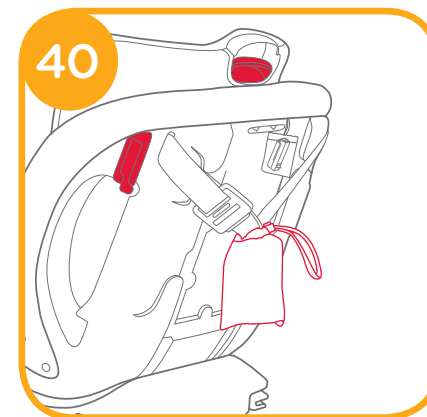
2. pressione e libere os conectores do veículo ISOFIX 38



! Fixações ISOFIX são Completamente retraídas na base. 39



! Quando não estiver em uso, a tira superior deve ser armazenada corretamente. para verificar Que a tira superior é armazenada corretamente remover qualquer folga na correia para evitar balanço da tira em torno de quando o veículo estiver em progressos. 40



! Quando o bolso não está em uso, amezone adequadamente.

ii. Protegendo o seu Filho na Cadeirainha

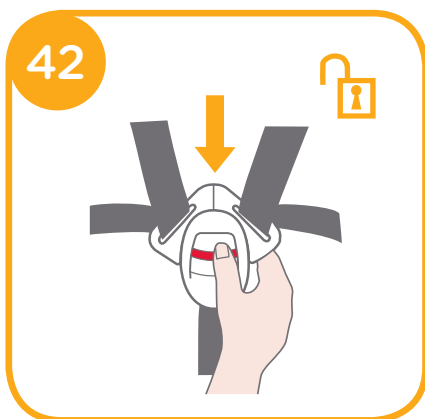
! Ao instalar a cadeirinha infantil no modo criança, não use o encaixe infantil.

1. Enquanto pressiona o cinto botão de ajuste, puxe os dois cintos de ombro da cadeirinha infantil 41



2. Pressione o botão vermelho para soltar a A fivela. 42

3. Protegendo o seu Filho na Cadeirainha e prenda a fivela.



4. Puxe para baixo as correias de ajuste e ajuste-o para o tamanho adequado para certifique-se que a criança está confortavelmente segura. 43

! Depois que a criança está sentada, verifique novamente se o cinto de ombro está em níveis apropriados

! Certifique-se o espaço entre o criança e o cinto de ombro é sobre a espessura de uma mão.



Modo de Júnior

(em Modo frente / para 1 criança 5 -25 kg / 3-7 anos de idade)

ver imagens 44 - 49

i. Instalação para Modo Júnior

! Por favor, use apenas o cinto ao instalar o dispositivo de Assento no modo Júnior. Não use o encaixe ou cinto de 5 pontos. Por favor, armazenar os chicotes de fios do ombro, fivela e fivela línguas em compartimentos de armazenamento respectivos.

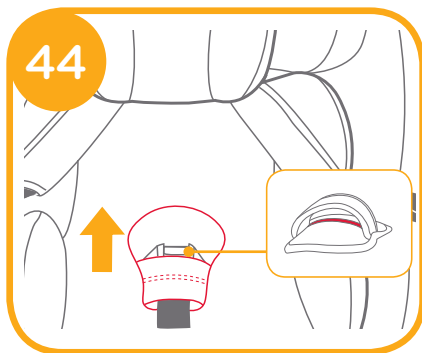
! Por favor, ajuste os cintos de ombro no comprimento adequado antes de armazenar as faixas de ombro e afivela em seus compartimentos de armazenamento.

! Por favor, ajuste a cadeirinha infantil no ângulo apropriado (4 posições para modo júnior). Indicação do ângulo: Com o triângulo superior e triângulo vermelho alinhados.

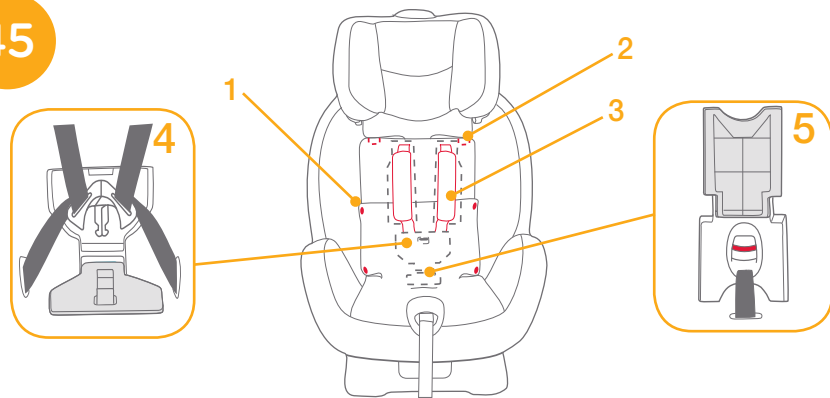
! Ao instalar e ajustar os cintos de segurança, certifique-se de que o cinto de ombro e o cinto de abdômen não estejam torcidos e não irão impedir que os cintos de segurança sejam apropriadamente posicionados.

1. Pressione o botão vermelho para soltar a fivela. **42**
2. Para retirar o forro entrepernas, primeiro localize o elástico por dentro do forro entrepernas. Puxe tanto o elástico e o forro entrepernas através da fivela para remover. **44**
3. Retire o encaixe infantil.

! Ao instalar a cadeirinha infantil no modo Júnior, não use o encaixe infantil.



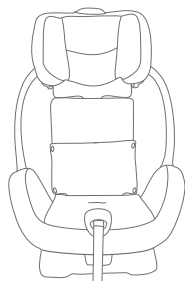
45



4. Desanexar os snaps **45 -1** e o fecho de velcro sobre a almofada do assento. **45 -2**
5. Eleve a aba e puxe para frente. Em seguida, armazenar as correias dos ombros **45 -3** e fivela línguas em seus compartimentos de armazenamento. **45 -4**
6. Puxe a fivela para trás da almofada do assento e depois armazene a fivela e as linguetas da fivela nos respectivos compartimentos de armazenamento. **45 -5**
7. Recolocar os snaps **45-1** e o gancho e laço do prendedor **45-2** para Guardar o assento. **46**

! Para converter para o modo da criança de modo Júnior, por favor, reverta os passos acima.

46



ii. Protegendo o seu Filho na Cadeirinha

a. Para instalação com cinto de 3 pontos

1. Coloque a criança na cadeirinha infantil, verifique se o cinto de ombro está na altura correta.
2. Correia de ombro de posição através de Guia do cinto de ombro cinto subabdominal encaminhamentos. Aperte a fivela e puxe o cinto de segurança do veículo para apertar. **47**

! Correia de ombro deve passar por Guia do cinto de ombro **48 -1**

! O cinto de abdômen deve passar pelos guias de cinto.

! O assento infantil não pode ser usado, se a fivela do cinto de segurança do veículo (Ponta fivela fêmea) é muito tempo para Fixe o assento firmemente. **47 -1**

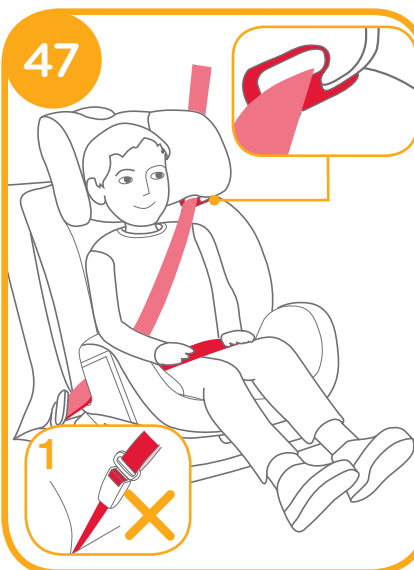
! Nunca use um cinto só de abdômen do veículo na frente da criança, em frente da criança.

! Não use o cinto de ombro solto ou posicionado sob o braço.

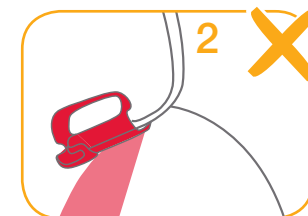
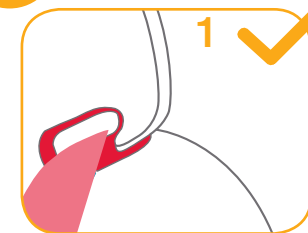
! Não use o cinto de ombro solto ou posicionado sob o tamanho da Criança.

! Não permitir que a criança deslize para baixo em a Assento em caso de estrangulação.

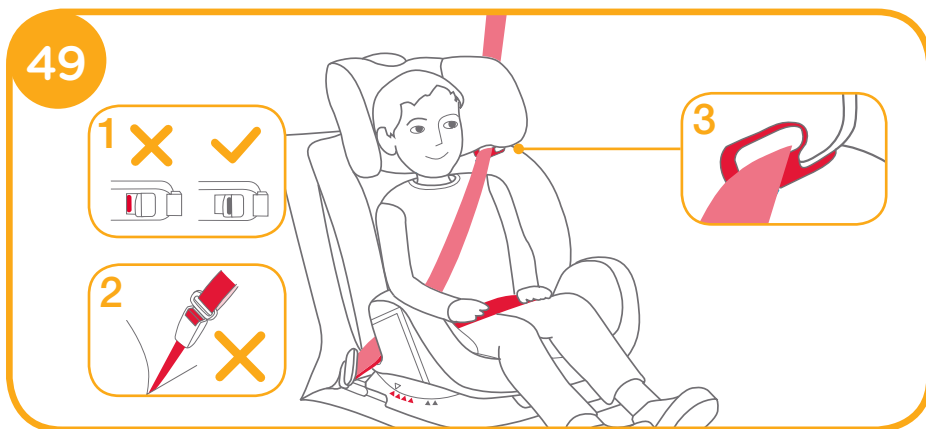
! Quando não estiver em uso, a tira superior deve ser armazenada corretamente. Para ter certeza de que a fixação da parte superior está devidamente armazenada, remova qualquer folga na tira de fixação da parte superior para evitar balançar quando o veículo estiver em movimento. **48**



48



Para instalação com cinto de 3 pontos e sistema ISOFIX



1. Instalação com sistema ISOFIX é mostrada como 29 - 33
2. Coloque a criança na cadeirinha infantil, verifique se o cinto de ombro está na altura correta.
3. Instalação com cinto de 3 pontos é mostrada como 47 - 48
4. Cinto de 3 pontos e sistema ISOFIX corretamente montados mostrados como 49

! Certifique-se de que ambos os conectores ISOFIX estão firmemente conectados aos seus pontos de fixação ISOFIX. As cores dos indicadores em ambos os conectores ISOFIX devem ser completamente verdes. 49 -1

! Verifique se a cadeirinha está firmemente instalada, puxando ambos os conectores ISOFIX.

! O cinto de ombro deve passar através do guia do cinto de ombro. 49 -3

! O cinto de abdômen deve passar pelos guias de cinto.

! O dispositivo de Assento não pode ser usado se a fivela do cinto de segurança do veículo (fim de fivela feminino) é muito longo para ancorar o assento de forma segura. 49 -2

! Nunca use um cinto só de abdômen do veículo na frente da criança,

! Não use o cinto de ombro solto ou posicionado sob o braço.

! Não use o cinto de ombro por trás das costas da criança.

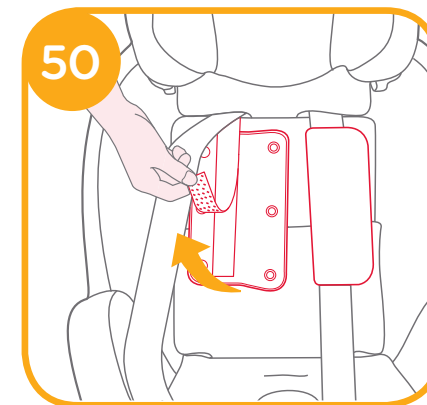
! Não deixe que a criança deslize na cadeirinha no caso de estrangulamento.

! Quando não estiver em uso, a tira superior deve ser armazenada corretamente. Para ter certeza de que a fixação da parte superior está devidamente armazenada, remova qualquer folga na tira de fixação da parte superior para evitar balançar quando o veículo estiver em movimento. 40

Retirar partes macias

ver imagens 50

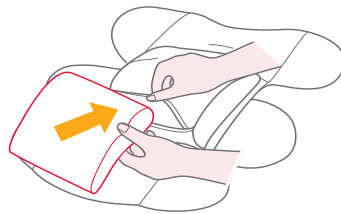
1. Pressione o botão vermelho para soltar a fivela.
 2. Para remover as ombreiras, primeiro desprenda as almofadas em seguida, remova o cinto preso por velcro. 50
 3. Remova o encaixe infantil e o cinto entre-pernas.
 4. Desanexar prendedores de gancho e laço 45 -2 com o apoio de cabeça dos slots em guias de ombro do cinto do veículo, e então remova a tampa do apoio de cabeça.
 5. Desanexe os snaps nos lados da almofada do assento. 45 -1
 6. Desanexe abas elásticas, localizadas por trás do apoio de cabeça, da concha do assento.
 7. Retire a peça de fixação de tecido da parte superior traseira do escudo do assento.
 8. Puxe o fecho através da ranhura do forro e depois remova a almofada do assento do escudo do assento.
- ! Para montar as partes macias, inverta os passos acima.



Manutenção

Nota

- ! Depois de remover a espuma do encaixe infantil, por favor, guarde-a em algum lugar que as crianças não possam acessá-la.
 - ! Lave as partes macias com água fresca abaixo de 30°C.
 - ! Não passe as partes macias.
 - ! Não aplique água sanitária ou lavagem a seco nas partes macias.
 - ! Não use detergente neutro não diluído, gasolina ou outros solventes orgânicos para lavar a cadeirinha. Pode danificar a cadeirinha infantil.
 - ! Não passe as partes macias. Isto pode deixar as partes macias com rugas.
 - ! Pendure as partes macias para secar na sombra.
 - ! Retire a cadeirinha infantil do veículo se ela não for utilizada por um longo período de tempo. Coloque a cadeirinha infantil na sombra e em algum lugar onde seu filho não consiga acessá-la.
 - ! Remova a espuma de inserção infantil antes de lavagem da máquina.
- Consulte a ilustração ao re-inserir a espuma em inserir infantil.



ES Enhorabuena

Ha adquirido un dispositivo de sujeción para niños de alta calidad, seguro y totalmente certificado. Este producto es adecuado para niños con un peso INFERIOR a 25 kg (aproximadamente con una edad de 7 años o menos).

Lea detenidamente este manual de instrucciones y siga los pasos de instalación, ya que es la ÚNICA forma de proteger a su hijo contra lesiones graves o, incluso, la muerte en caso de accidente, y de garantizar que su bebé viaje cómodamente cuando esté utilizando este producto.

Conserve este manual de instrucciones para futuras consultas.

Por favor, confirme lo siguiente:

Asegúrese de que su vehículo está equipado con un cinturón de seguridad retráctil con 3 puntos de sujeción. El diseño y la longitud de los cinturones de asientos pueden variar según el fabricante, la fecha de fabricación y el tipo de vehículo. Este dispositivo de sujeción para niños solo es apto para su uso en los vehículos que se mencionan, que están equipados con cinturones de seguridad retráctiles con 3 puntos de sujeción y aprobados por el reglamento 16 de la CEPE u otras normativas equivalentes. Este dispositivo de sujeción para niños está aprobado por la serie de enmiendas del reglamento 44. 04 de la CEPE.

Para obtener información sobre la garantía, visite nuestro sitio web en joiebaby.com

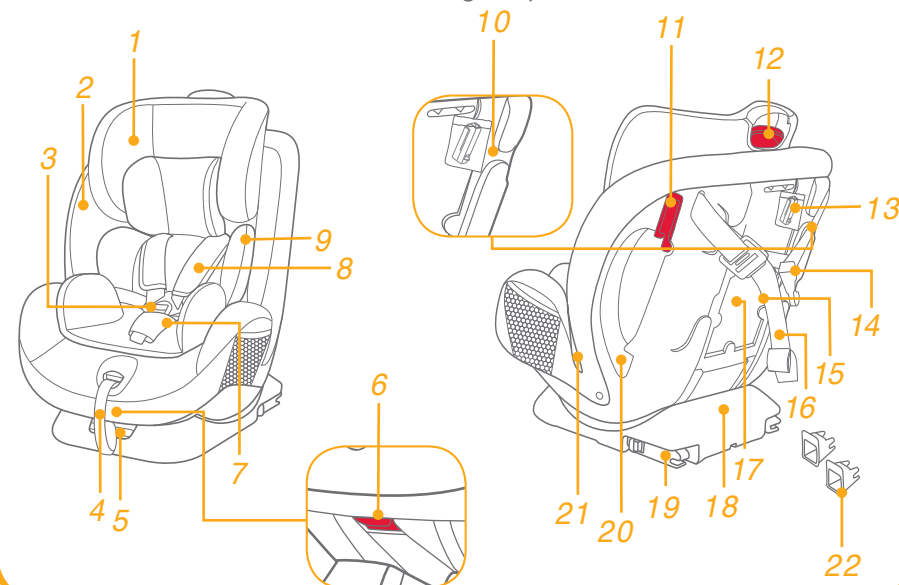
! Guarde el manual de instrucciones en el compartimento de almacenamiento de la cubierta trasera para futuras consultas.

Lista de piezas

Asegúrese de que están disponibles todas las piezas antes de montar el producto. Si falta alguna pieza, póngase en contacto con su proveedor local. No se necesita ninguna herramienta para el montaje.

- | | |
|--|--|
| 1 Reposacabezas | 12 Palanca de ajuste del reposacabezas |
| 2 Acolchado del asiento | 13 Gancho de sujeción |
| 3 Hebilla | 14 Ajustador de correa de fijación |
| 4 Ajustador de la cincha | 15 Gancho de correa |
| 5 Botón de desbloqueo de sujeciones ISOFIX | 16 Correa de fijación superior |
| 6 Asa de ajuste de la inclinación | 17 Compartimento de almacenamiento del manual de instrucciones |
| 7 Acolchado de la pelvis | 18 Base |
| 8 Arnés de los hombros | 19 Conector de sujeciones ISOFIX |
| 9 Accesorio para niños pequeños | 20 Ranura trasera del cinturón del asiento |
| 10 Ranura del cinturón del hombro del vehículo con orientación hacia atrás | 21 Guías del cinturón de la cintura |
| 11 Dispositivo de cierre | 22 Guías de sujeciones ISOFIX |

El acolchado incluye acolchado del asiento, acolchado de la pelvis, acolchado de los hombros, reposacabezas y accesorio para niños pequeños. Asegúrese de que no falte ninguna pieza. Póngase en contacto con su distribuidor si falta alguna pieza.



ADVERTENCIA

- ! NINGÚN dispositivo de sujeción para niños puede garantizar una protección total contra lesiones en caso de accidente. Sin embargo, un uso adecuado de este dispositivo de sujeción para niños reducirá el riesgo de sufrir lesiones graves o, incluso, la muerte de su hijo.
- ! Este dispositivo de sujeción para niños está diseñado para que lo utilicen ÚNICAMENTE niños con un peso inferior a 25 kg (aproximadamente con una edad de 7 años o menos).
- ! NO utilice el modo orientado hacia adelante antes de que el niño pese más de 9 kg.
- ! Las correas que fijan el dispositivo de sujeción al vehículo deben estar apretadas, mientras que las correas que sujetan al niño deben ajustarse al cuerpo del niño y no retorcerse.
- ! NO utilice ni instale este dispositivo de sujeción para niños hasta que no haya leído y comprendido las instrucciones que se indican en este manual y en el manual del propietario del vehículo.
- ! Considere el peligro de realizar modificaciones o adiciones al dispositivo sin la aprobación del organismo de homologación y el peligro de no seguir estrictamente las instrucciones de instalación facilitadas por el fabricante del dispositivo de sujeción para niños.
- ! NO modifique de ninguna manera este dispositivo de sujeción para niños ni lo utilice con piezas de otros fabricantes.
- ! NO utilice este dispositivo de sujeción para niños si está dañado o si falta alguna de sus piezas.
- ! NO deberá colocar a su hijo con ropa suelta cuando utilice este dispositivo de sujeción para niños en modo para bebés o para niños pequeños, ya que podría provocar que la sujeción del niño, mediante los arneses de los hombros y los muslos, no sea firme y segura.
- ! Cuando utilice este dispositivo de sujeción para niños en modo para bebés o para niños pequeños, deberá utilizar correctamente el cinturón de seguridad y asegurarse de que ninguna correa de seguridad quede demasiado baja, para que la pelvis quede firmemente sujeta.
- ! NO deje este dispositivo de sujeción para niños sin el cinturón puesto o sin fijar a su vehículo, ya que un dispositivo de sujeción para niños que no esté fijado puede ser lanzado y puede causar daños a los ocupantes en curvas pronunciadas, frenazos o colisiones. Retírelo si no lo va a utilizar con mucha frecuencia.
- ! No deje a su hijo sin supervisión en el dispositivo de sujeción para niños.
- ! No coloque este dispositivo de sujeción para niños en asientos donde un airbag frontal activo esté instalado si el niño está aún en el modo orientado hacia atrás.

ADVERTENCIA

- ! NUNCA utilice un dispositivo de sujeción para niños de segunda mano ni un dispositivo de sujeción para niños que no sepa el uso que se le ha dado, ya que podría tener daños estructurales que pusieran en peligro la seguridad de su hijo.
- ! Mantenga este dispositivo de sujeción para niños alejado de la luz directa del sol ya que, si no lo hace, podría alcanzar temperaturas demasiado altas para la piel de su hijo.
- ! NUNCA use cuerdas ni ningún otro tipo de objeto en lugar de los cinturones de los asientos en el caso de que el dispositivo de sujeción estuviera dañado.
- ! NO utilice este dispositivo de sujeción para niños como una silla común, ya que tiende a caerse y puede causarle daños al niño.
- ! No utilice este dispositivo de sujeción para niños sin el acolchado.
- ! El acolchado no deberá sustituirse por uno que no esté recomendado por el fabricante, ya que el acolchado constituye una parte esencial del funcionamiento del dispositivo de sujeción.
- ! NO coloque nada que no sean los almohadones internos recomendados en este dispositivo de sujeción para niños.
- ! NO transporte este dispositivo de sujeción para niños con el niño dentro.
- ! Sujete correctamente el equipaje y cualquier otro objeto que pueda provocar lesiones en caso de colisión.
- ! Evite que el arnés o las hebillas del dispositivo de sujeción para niños queden enganchados o pillados en el asiento o la puerta del vehículo.
- ! Sustituya el dispositivo si ha estado sometido a tensiones violentas en un accidente.
- ! Retire este dispositivo de sujeción para niños del asiento del vehículo cuando no vaya a utilizarlo durante un periodo prolongado de tiempo.
- ! Para evitar el riesgo de asfixia, retire la bolsa de plástico y los materiales de embalaje antes de utilizar este producto. A continuación, deberá mantener la bolsa de plástico y los materiales de embalaje fuera del alcance de bebés y niños.
- ! Para cualquier cuestión de mantenimiento, reparación o sustitución de piezas, consulte a su distribuidor.
- ! NO utilice ningún punto de contacto de soporte de carga distinto a los que se describen en las instrucciones y aparecen en el dispositivo de sujeción para niños.
- ! Examine periódicamente las guías de sujeciones ISOFIX por si estuvieran sucias y límpielas si fuera necesario. La fiabilidad podría verse afectada si se acumula suciedad, polvo, partículas de comida, etc.

ADVERTENCIA

! NO instale este dispositivo de sujeción para niños en las siguientes condiciones:

1. Asientos de vehículo con cinturones de seguridad con 2 puntos de sujeción.
2. Asientos de vehículo que estén orientados hacia un lado o hacia atrás con respecto a la dirección de la conducción del vehículo.
3. Asientos de vehículo inestables durante la instalación.

Emergencia

En caso de emergencia o accidente, es muy importante que su hijo reciba primeros auxilios y tratamiento médico de inmediato.

Información del producto

Para la instalación con cinturón de 3 puntos de sujeción o con ISOFIX (sujeciones ISOFIX y correa superior)

1. Este es un dispositivo de sujeción para niños "Universal". Está aprobado por la serie de enmiendas del reglamento 44. 04 de la CEPE para el uso general en vehículos y se ajusta a la mayoría de los asientos de vehículos, aunque no a todos.
2. Hay muchas posibilidades de que se ajuste correctamente si el fabricante del vehículo indica en el manual del vehículo que se puede utilizar un dispositivo de sujeción para niños "Universal" en dicho vehículo con niños que pertenezcan a este grupo de edades.
3. Este dispositivo de sujeción para niños ha sido clasificado como "Universal" bajo unas condiciones más estrictas que las que se han aplicado a los diseños anteriores que no contienen este aviso.
4. En caso de duda, consulte al fabricante del dispositivo de sujeción para niños o al distribuidor.

Para la instalación con ISOFIX (sujeciones ISOFIX y correa superior)

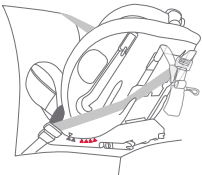

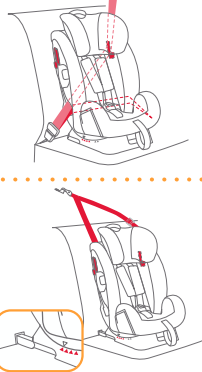

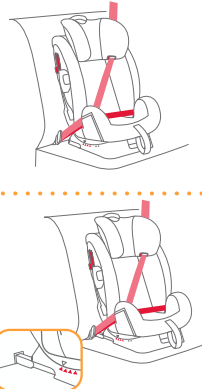

1. Este es un SISTEMA DE SUJECIÓN PARA NIÑOS ISOFIX. Está aprobado por la serie de enmiendas del reglamento 44. 04 para el uso general en vehículos equipados con sistemas de sujeción ISOFIX. Es adecuado para su colocación en las posiciones de sentado de la mayoría de los coches.
2. Se ajustará a los vehículos con posiciones aprobadas como posiciones ISOFIX (como se indica en el manual del vehículo), dependiendo de la categoría del dispositivo de sujeción para niños y la sujeción.
3. Las posiciones de sentado en otros coches también pueden ser adecuadas para colocar el dispositivo de sujeción para niños. En caso de duda, consulte al fabricante del dispositivo de sujeción para niños o al fabricante del vehículo.
4. La clase de tamaño ISOFIX para la que está diseñado este dispositivo es B1.

Para la instalación con sujeciones ISOFIX y cinturón de 3 puntos de sujeción

1. El dispositivo de sujeción para niños está clasificado para un uso "Semiuniversal".
2. Las posiciones de sentado en otros coches también pueden ser adecuadas para colocar el dispositivo de sujeción para niños. En caso de duda, consulte al fabricante del dispositivo de sujeción para niños o al fabricante del vehículo.

Producto	Dispositivo de sujeción para niños
Modelo	C1719
Apto para	Niños con un peso de 0 a 25 kg (aproximadamente de 0 a 7 años)
Grupo de masa	0+/1/2
Materiales	Plástico, metal, tela
N.º de patente	Pendiente de patente

Elegir el modo de instalación

Peso del niño	Modo de instalación	Figura de la instalación	Edad de referencia	Posición del asiento	Instrucciones del accesorio para niños pequeños
<18kg	Modo orientado hacia atrás		<4 años	Posición 5-6 	Utilice el accesorio para niños pequeños desde los 0 a los 9 meses para ayudar a sujetar firmemente al niño
9-18kg	Modo para niños pequeños		De 1 a 4 años	Posición 1-4 	Cuando instale el dispositivo de sujeción para niños en el modo para niños pequeños, no utilice el accesorio para niños
15-25kg	Modo junior		3 a 7 años	Posición 1-4 	Retire la almohadilla de la entrepierna y la inserción para bebés y almacene el arnés en ubicaciones de almacenamiento adecuadas.

Importante

1. NO utilice el modo orientado hacia adelante antes de que el niño pese más de 9 kg.
2. Cuando pueda colocar al niño tanto en modo para bebés como en modo para niños pequeños, le recomendamos que instale este dispositivo de sujeción para niños en modo para bebés, ya que es relativamente más seguro.

Ajuste de la reclinación

Consulte las imágenes 3 - 4

Presione el asa de ajuste de la reclinación y ajuste el dispositivo de sujeción para niños hasta que la posición sea la adecuada. 3

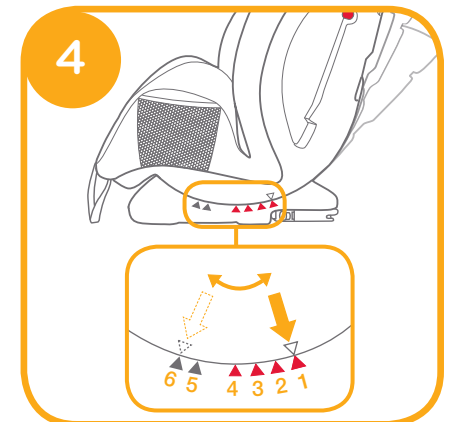
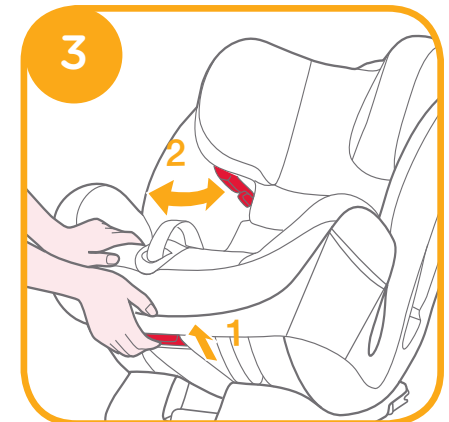
Los ángulos de reclinación son los indicados en la figura 4

Hay dos ángulos de reclinación 5-6 para el modo para bebés, y están marcados con triángulos azules.

Hay cuatro ángulos de reclinación 1-4 para el modo para niños pequeños y el modo junior, y están marcados con triángulos rojos.

Indicación del ángulo: con los triángulos superiores e inferiores alineados.

! Asegúrese de volver a apretar el cinturón del asiento del vehículo si se ha ajustado en posición de reclinación, y viceversa, si ya ha abrochado el cinturón correctamente con anterioridad.



Ajuste de la altura

de los arneses de los hombros y el reposacabezas

Consulte las imágenes 5 - 6

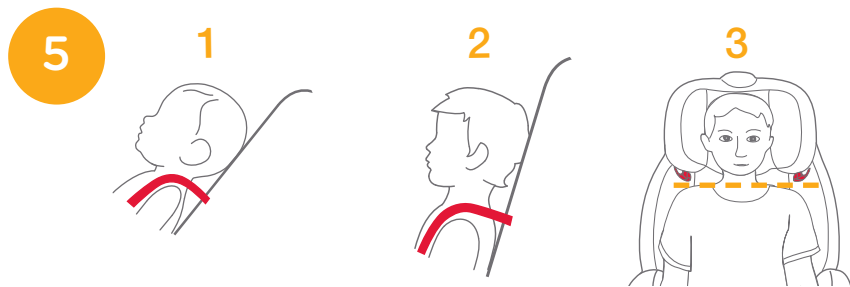
Ajuste el reposacabezas y compruebe si la altura de los arneses de los hombros es la correcta, según la altura del niño.

! Cuando utilice el modo para bebés, los arneses de los hombros deberán estar a la altura de los hombros del niño. 5 -1

! Cuando utilice el modo para niños pequeños, los arneses de los hombros deberán estar a la altura de los hombros del niño. 5 -2

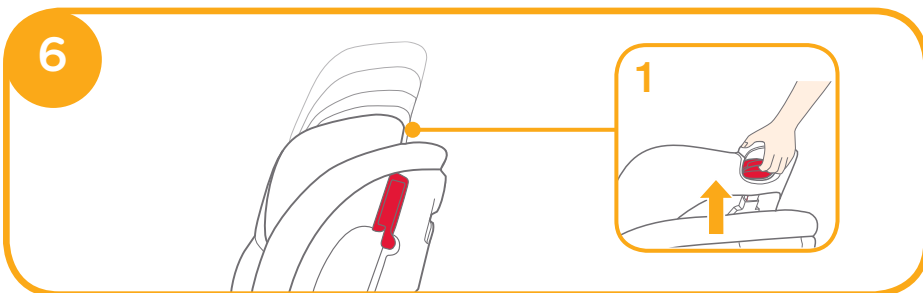
! Cuando utilice el modo junior, las guías del cinturón del hombro deberán estar a la altura de los hombros del niño. 5 -3

Si los arneses de los hombros no están a la altura adecuada, el niño podría salir despedido del dispositivo de sujeción para niños en el caso de que ocurra un accidente.



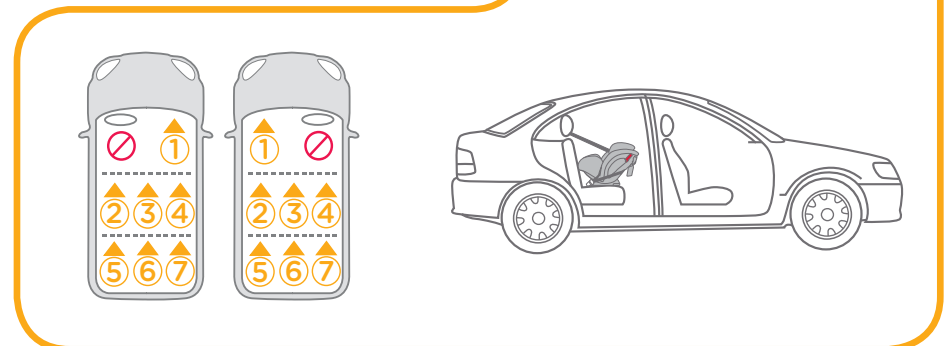
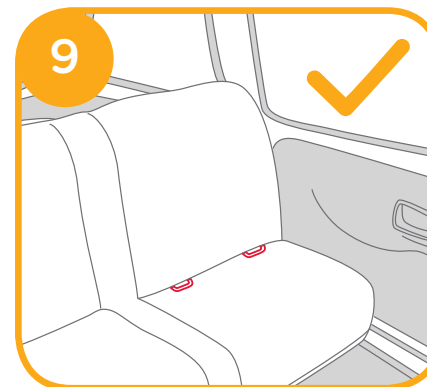
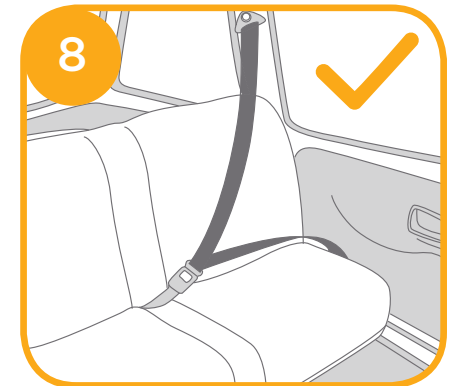
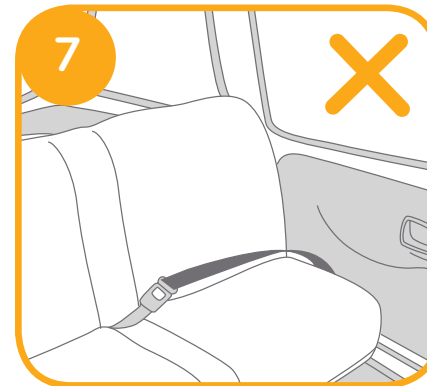
Apriete la palanca de ajuste del reposacabezas 6 -1 al mismo tiempo que empuja hacia arriba o hacia abajo el reposacabezas hasta que quede fijado en una de las 5 posiciones.

Las posiciones del reposacabezas se indican en la figura 6



Consideraciones acerca de la instalación

Consulte las imágenes 7 - 10



Modo orientado hacia atrás

(Modo orientado hacia atrás/para niños de menos de 18 kg/desde recién nacidos hasta los 4 años de edad)

Consulte las imágenes 11 - 23

! Instale el dispositivo de sujeción para niños en el asiento trasero del vehículo y, a continuación, coloque al niño en el dispositivo de sujeción para niños.

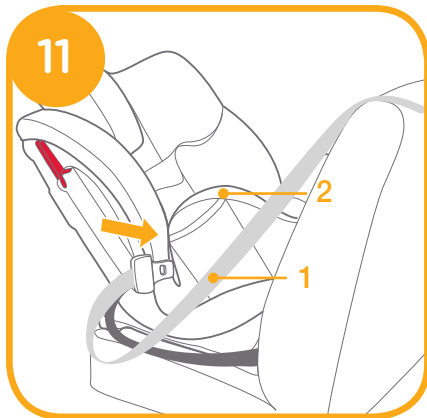
i. Instalación en modo orientado hacia atrás

- ! Ajuste el dispositivo de sujeción para niños al ángulo adecuado (2 posiciones en el modo para bebés). Indicación del ángulo: Con el triángulo superior y el triángulo azul alineados.
- ! Asegúrese de que el arnés de los hombros está ajustado a una altura adecuada antes de instalar este dispositivo de sujeción para niños.
- ! Cuando instale y ajuste los cinturones de seguridad, asegúrese de que tanto el cinturón del hombro como el de la cintura no estén retorcidos y no bloqueen los cinturones de seguridad para que puedan funcionar correctamente.

1. Quite el accesorio para niños pequeños.

! El cinturón de la cintura del vehículo debe pasar por debajo del accesorio para niños pequeños.

2. Pase el cinturón de la cintura del vehículo 11 -1 por las guías del cinturón de la cintura y, a continuación, fije el enganche de la hebilla del vehículo en la hebilla. 12



3. Coloque el cinturón del hombro del vehículo en las dos ranuras del cinturón del hombro del vehículo con orientación hacia atrás situadas en la parte trasera del armazón del asiento. 13

! El cinturón del hombro del vehículo debe pasar por las ranuras del cinturón del hombro del vehículo con orientación hacia atrás.

! El clip de bloqueo se utiliza únicamente cuando el dispositivo de sujeción para niños está en el modo orientado hacia atrás.

! El clip de bloqueo hará que el dispositivo de sujeción para niños sea más seguro.

! Vuelva a colocar el clip de bloqueo y el cordón en la bolsa cuando no los utilice.

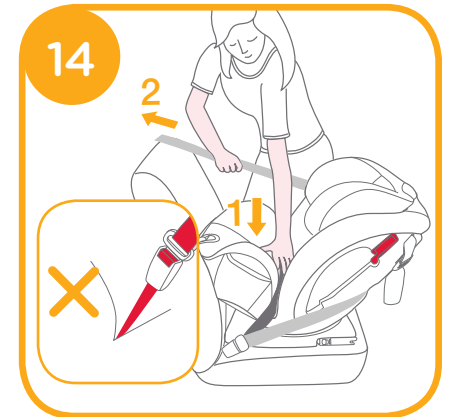
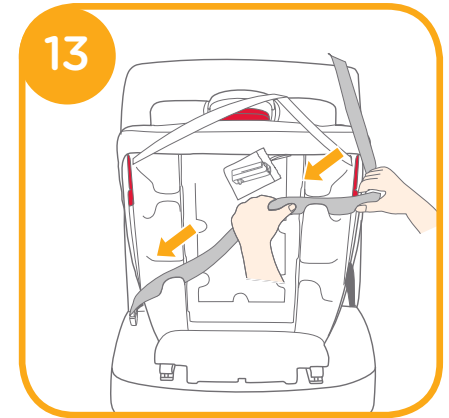
4. Presione sobre el dispositivo de sujeción para niños y, al mismo tiempo, tire de los cinturones para que el dispositivo de sujeción para niños quede firmemente sujeto. 14

! El dispositivo de sujeción para niños no puede utilizarse si la hebilla del cinturón de seguridad del vehículo (extremo hembra de la hebilla) es demasiado larga para sujetar con seguridad el dispositivo de sujeción para niños.

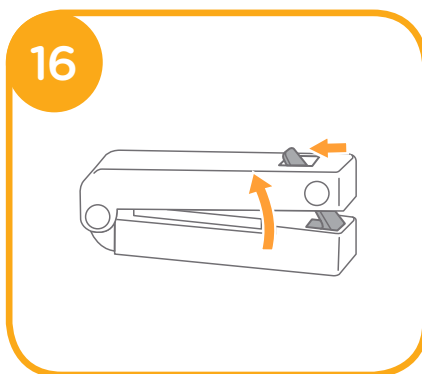
! Compruébelo moviendo el dispositivo de sujeción para niños hacia adelante y hacia atrás.

5. Saque el clip de bloqueo de la bolsa. 15

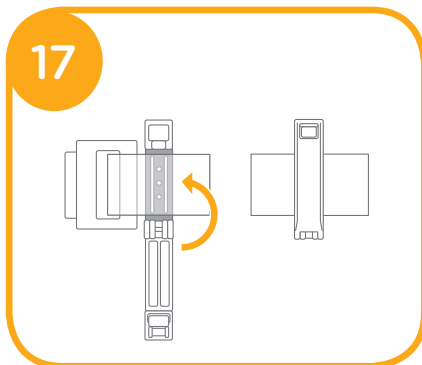
! Almacene correctamente la correa superior cuando no la utilice. Para asegurarse de que la correa superior esté correctamente guardada, elimine la holgura de la correa para evitar que se balancee cuando el vehículo esté en marcha. 40



6. Presione el botón para abrir el clip de bloqueo. 16

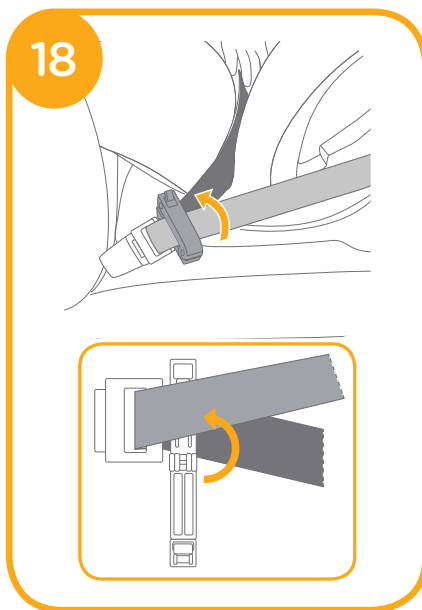


7. Pase el cinturón diagonal a través del clip de bloqueo y, a continuación, apriete el clip de bloqueo. 17



8. Vuelva a apretar el clip de bloqueo. 18

! Compruebe que el dispositivo de sujeción para niños esté firmemente sujeto moviéndolo hacia adelante y hacia atrás en la trayectoria del cinturón. Consulte el manual de usuario del vehículo para obtener más información. (El dispositivo de sujeción para niños no deberá moverse más de 25 mm).

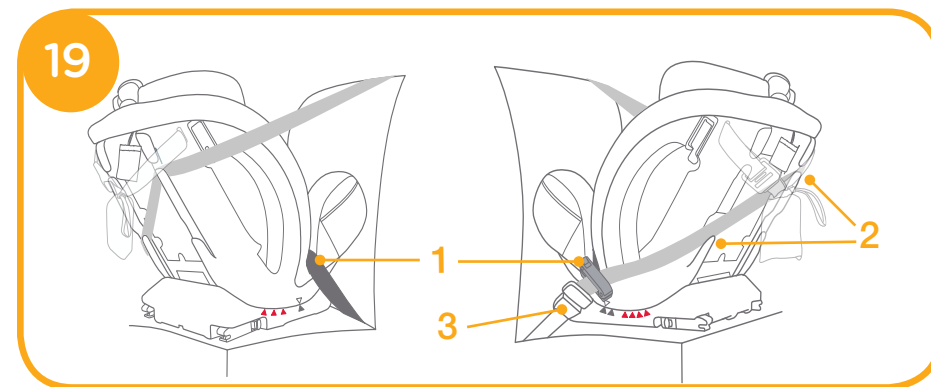


El cinturón del vehículo montado correctamente aparece en la figura 19

! El cinturón de la cintura pasa por las guías del cinturón de la cintura, como se muestra en la figura 19-1

! El cinturón del hombro debe pasar a través de la ranura del cinturón del hombro del vehículo con orientación hacia atrás, como se muestra en la figura 19-2

! El enganche de la hebilla del vehículo deberá estar correctamente sujeto con la hebilla, como se muestra en la figura 19-3

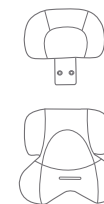


ii. Sujetar al niño en el dispositivo de sujeción para niños

Uso del accesorio para niños pequeños



Le recomendamos utilizar el añadido para bebés completo cuando el bebé tenga entre 0 y 6 meses o hasta que sobresalga de dicho añadido. La protección para bebés aumenta la protección contra el impacto lateral.

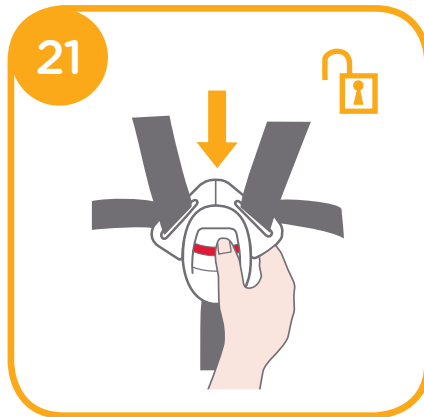


Desabroche los broches situados en el soporte para la cabeza para quitar la parte de la cabeza del añadido.

1. Mientras presiona el botón de ajuste del arnés, tire totalmente de los dos arneses de los hombros del dispositivo de sujeción para niños. 20

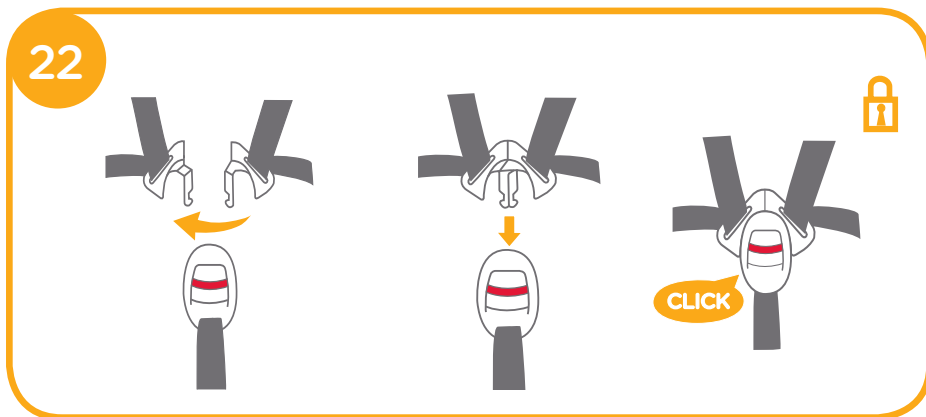


2. Presione el botón rojo para soltar la hebilla. 21



3. Coloque el accesorio para niños pequeños en el dispositivo de sujeción para niños y, a continuación, coloque al niño en el dispositivo de sujeción para niños y pase los dos brazos por los arneses.

4. Enganche la hebilla. 22



5. Empuje hacia abajo la cincha de ajuste y ajústela de forma que la longitud sea la adecuada para garantizar que su hijo quede sujeto cómodamente. 23



! Después de sentar al niño, vuelva a comprobar si los arneses de los hombros están a una altura adecuada.

! Asegúrese de que el espacio entre el niño y los arneses de los hombros sea el del grosor de aproximadamente una mano.

Modo para niños pequeños

(Modo orientado hacia adelante/para niños de 9 a 18 kg/de 1 a 4 años de edad)

Consulte las imágenes 24 - 43

! Instale el dispositivo de sujeción para niños en el asiento del vehículo y, a continuación, coloque al niño en el dispositivo de sujeción para niños.

i. Instalación en modo para niños pequeños

! Ajuste el dispositivo de sujeción para niños al ángulo adecuado (4 posiciones en el modo para niños pequeños). Indicación del ángulo: Con el triángulo superior y el triángulo rojo alineados.

! Ajuste los arneses de los hombros a la altura adecuada antes de instalar el dispositivo de sujeción para niños.

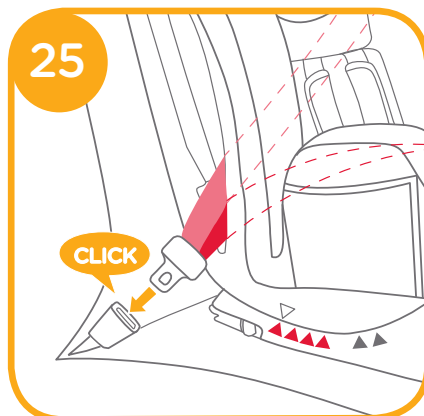
! Cuando instale y ajuste los cinturones de seguridad, asegúrese de que tanto el cinturón del hombro como el de la cintura no estén retorcidos y no queden mal colocados.

a. Para la instalación con cinturón de 3 puntos de sujeción

1. Pase el cinturón de seguridad por las dos ranuras traseras del cinturón del asiento situadas en la parte trasera del dispositivo de sujeción para niños. **24**



2. Abroche el cinturón de seguridad. **25**



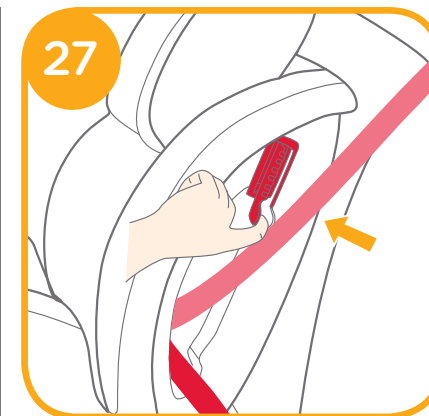
3. Presione sobre el dispositivo de sujeción para niños y, al mismo tiempo, tire de los cinturones para que el dispositivo de sujeción para niños quede firmemente sujeto. **26**



! El dispositivo de sujeción para niños no puede utilizarse si la hebilla del cinturón de seguridad del vehículo (extremo hembra de la hebilla) es demasiado larga para sujetar con seguridad el dispositivo de sujeción para niños. **26 -1**

4. Abra el dispositivo de cierre e inserte el cinturón de seguridad en él. **27**

! Compruebe que el dispositivo de sujeción para niños esté firmemente sujeto moviéndolo hacia adelante y hacia atrás en la trayectoria del cinturón. (El dispositivo de sujeción para niños no deberá moverse más de 25 mm).

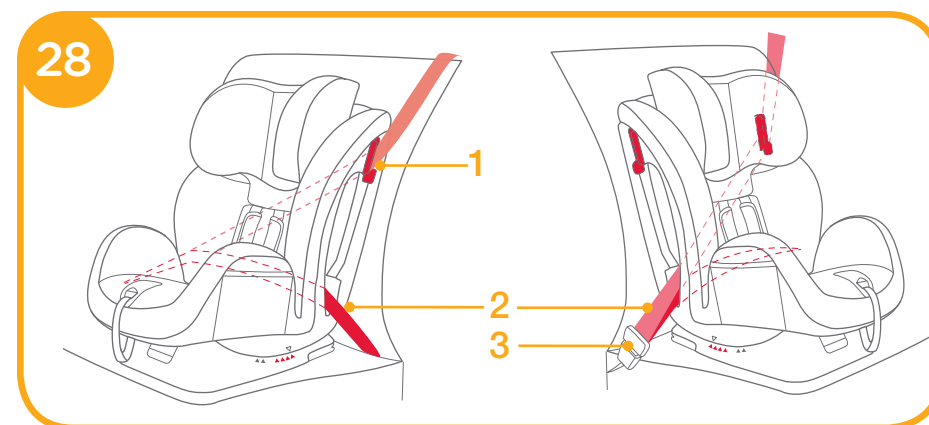


El cinturón de seguridad montado se muestra en la figura **28**

! El cinturón del hombro deberá pasar por el dispositivo de cierre, como se muestra en la figura **28 -1**

! El cinturón de la cintura pasa por las ranuras traseras del cinturón del asiento, como se muestra en la figura **28 -2**

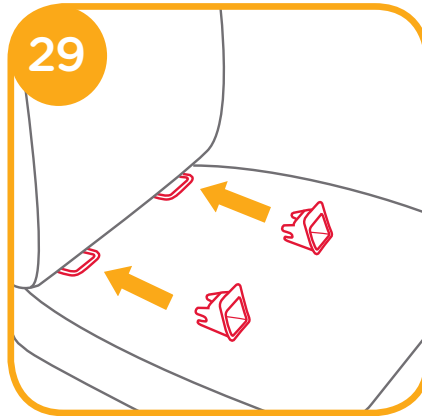
! El enganche de la hebilla del vehículo deberá estar correctamente sujeto con la hebilla, como se muestra en la figura **28 -3**



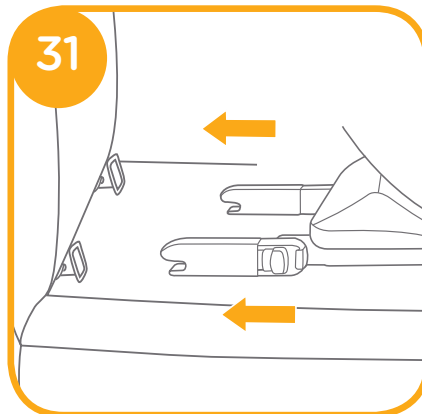
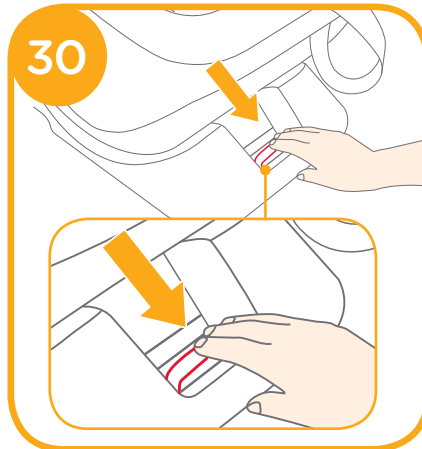
! Almacene correctamente la correa superior cuando no la utilice. Para asegurarse de que la correa superior esté correctamente guardada, elimine la holgura de la correa para evitar que se balancee cuando el vehículo esté en marcha. **40**

**b. Para la instalación con ISOFIX
(sujeciones ISOFIX y correa superior)**

1. Ajuste las guías de sujeciones ISOFIX con los puntos de anclaje de sujeciones ISOFIX. Las guías de sujeciones ISOFIX pueden proteger la superficie del asiento del vehículo contra roturas. También sirven para guiar los conectores de sujeciones ISOFIX. **29**



2. Extienda los conectores de sujeciones ISOFIX pulsando el botón de desbloqueo **30** mientras tira del conector. **31**



! Asegúrese de que ambos conectores de sujeciones ISOFIX estén firmemente sujetos a sus puntos de anclaje de sujeciones ISOFIX. Los colores de los indicadores de ambos conectores de sujeciones ISOFIX deberán aparecer completamente en verde. **32**

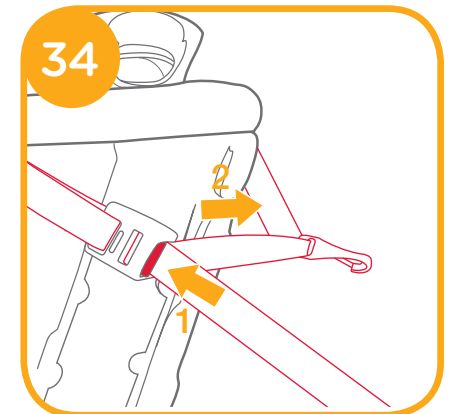
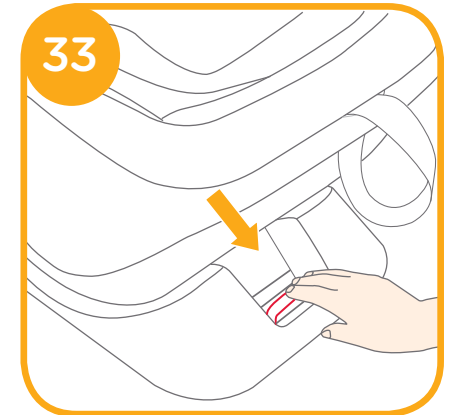
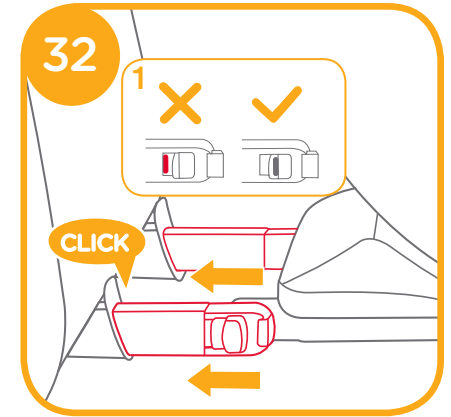
! Los conectores de sujeciones ISOFIX deben estar sujetos y bloqueados en los puntos de anclaje de sujeciones ISOFIX.

! Para asegurarse de que el dispositivo de sujeción para niños está instalado de forma segura, tire de ambos conectores de sujeciones ISOFIX.

! Seleccione la posición de inclinación deseada antes de desplazar el dispositivo hacia atrás contra el asiento del vehículo, ya que una vez sujeta y tensada la correa superior, no podrá cambiar el ángulo de inclinación sin ajustar la correa superior.

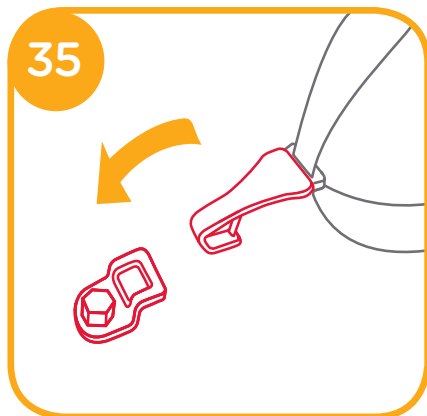
3. Pulse el botón de desbloqueo de sujeciones ISOFIX y empuje el dispositivo de sujeción para niños hacia atrás contra el asiento del vehículo hasta que quede sujeto. **33**

4. Para extender la correa superior, presione el botón del ajustador de la correa y tire de ella. **34**



5. Conecte el gancho de la correa de manera que quede bien sujeto al anclaje. 35

! UTILICE la correa superior para la instalación en modo para niños pequeños si el vehículo está equipado con un anclaje de correa y el vehículo cumple los requisitos necesarios (consulte el manual del usuario del vehículo).



6. El sistema ISOFIX (sujeciones ISOFIX y correa superior) montado correctamente se muestra en la figura 36

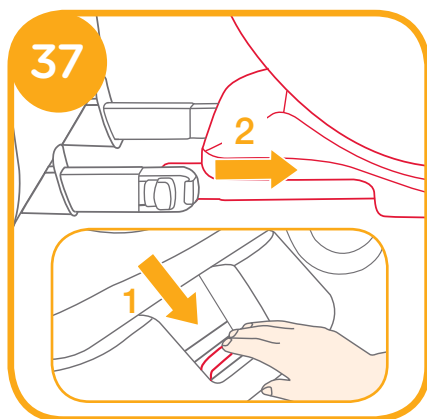
! Asegúrese de que el gancho de la correa esté bien fijado al anclaje. Los indicadores del ajustador de la correa superior deben ser de color completamente verde. 36-1

! Si ajusta el ángulo de inclinación, compruebe la tensión de la correa superior o aflójela para ajustar el ángulo y vuelva a tensarla.



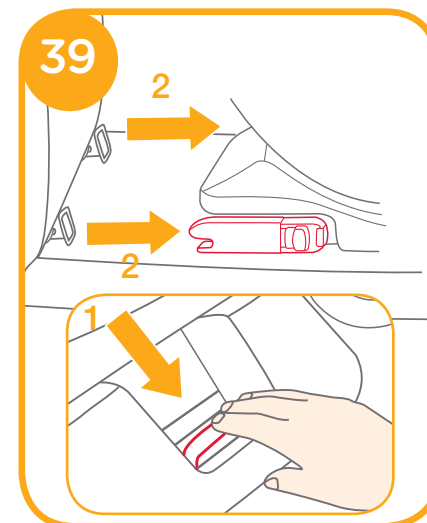
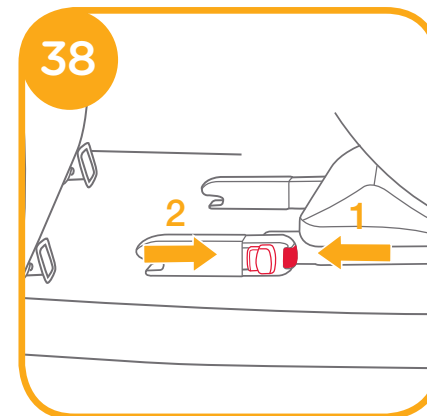
Quitar la base

1. Para quitar la base del vehículo, pulse el botón de desbloqueo de sujeciones ISOFIX 37-1 y tire de la base hacia atrás del asiento. 37-2



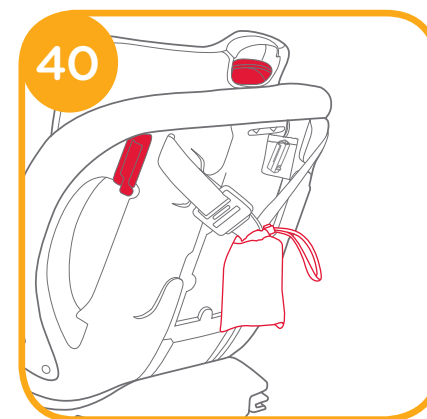
2. A continuación, presione y suelte los conectores del sistema ISOFIX del vehículo. 38

! Las sujeciones ISOFIX se retraen completamente para volver a la base. 39



! Almacene correctamente la correa superior cuando no la utilice. Para asegurarse de que la correa superior esté correctamente guardada, elimine la holgura de la correa para evitar que se balancee cuando el vehículo esté en marcha. 40

! Cuando no vaya a utilizar la cesta, guárdela de forma adecuada.



ii. Sujetar al niño en el dispositivo de sujeción para niños

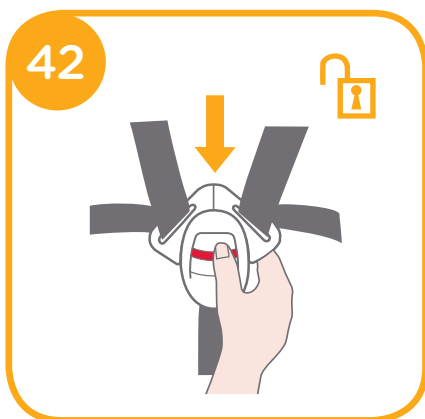
! Cuando instale el dispositivo de sujeción para niños en el modo para niños pequeños, no utilice el accesorio para niños pequeños.

1. Mientras presiona el botón de ajuste del arnés, tire totalmente de los dos arneses de los hombros del dispositivo de sujeción para niños. 41



2. Presione el botón rojo para soltar la hebilla. 42

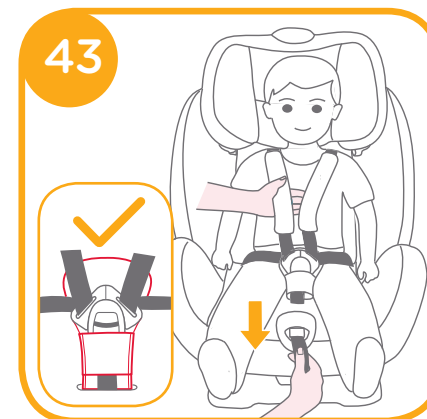
3. Coloque al niño en el dispositivo de sujeción para niños y enganche la hebilla.



4. Empuje hacia abajo la cincha de ajuste y ajústela de forma que la longitud sea la adecuada para que su hijo quede sujeto cómodamente. 43

! Después de sentar al niño, vuelva a comprobar si los arneses de los hombros están a una altura adecuada.

! Asegúrese de que el espacio entre el niño y los arneses de los hombros sea el del grosor de aproximadamente una mano.



Modo junior

(Modo orientado hacia adelante/para niños de 15 a 25 kg /de 3 a 7 años de edad)

Consulte las imágenes 44 - 49

i. Instalación en modo junior

! Utilice el cinturón del asiento del vehículo únicamente cuando instale el dispositivo de sujeción para niños en el modo junior. No utilice el accesorio para niños pequeños ni el arnés de 5 puntos de sujeción. Guarde los arneses de los hombros, la hebilla y los enganches de la hebilla en sus respectivos compartimentos de almacenamiento.

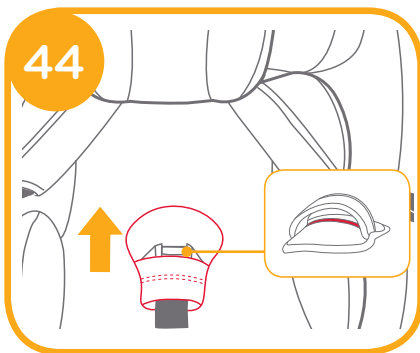
! Ajuste los arneses de los hombros hasta que la longitud sea la adecuada antes de guardar los arneses de los hombros y la hebilla en sus compartimentos de almacenamiento.

! Ajuste el dispositivo de sujeción para niños al ángulo adecuado (4 posiciones en el modo junior). Indicación del ángulo: Con el triángulo superior y el triángulo rojo alineados.

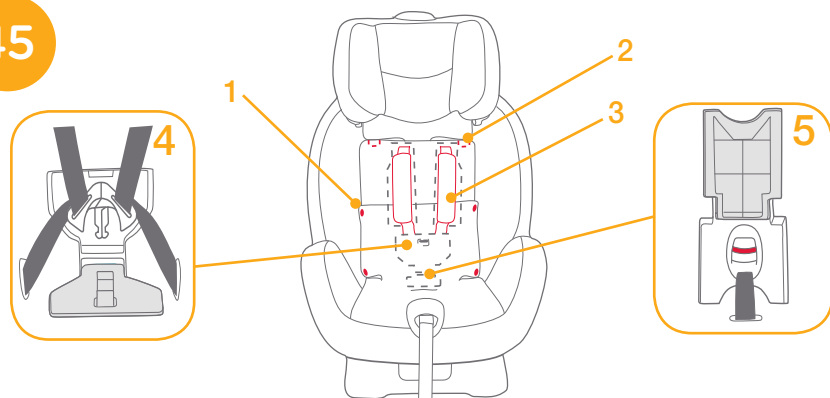
! Cuando instale y ajuste los cinturones de seguridad, asegúrese de que tanto el cinturón del hombro como el de la cintura no estén retorcidos y no queden mal colocados.

1. Presione el botón rojo para soltar la hebilla. 42
2. Para quitar el acolchado de la pelvis, primero localice el elástico del interior del acolchado de la pelvis. Tire del elástico y del acolchado de la pelvis sobre la hebilla para quitarlo. 44
3. Quite el accesorio para niños pequeños.

! Cuando instale el dispositivo de sujeción para niños en el modo junior, no utilice el accesorio para niños pequeños.



45

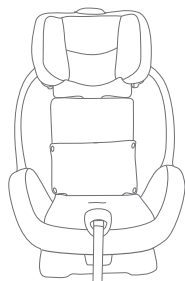


4. Suelte las sujeciones 45-1 y el velcro del acolchado del asiento. 45-2
5. Levante la solapa superior del acolchado del asiento y tire de la solapa inferior hacia adelante. A continuación, guarde las correas de los hombros 45-3 y los enganches de la hebilla en sus compartimentos de almacenamiento. 45-4
6. Tire de la hebilla a través de la ranura del acolchado del asiento y, a continuación, guarde la hebilla en su compartimento de almacenamiento. 45-5

7. Vuelva a fijar las sujeciones 45-1 y el velcro 45-2 para volver a cubrir el armazón del asiento. 46

! Con el modo junior, si desea volver a utilizarlo en el modo para niños pequeños, realice los pasos anteriores en orden inverso.

46



ii. Sujetar al niño en el dispositivo de sujeción para niños

a. Para la instalación con cinturón de 3 puntos de sujeción

1. Coloque al niño en el dispositivo de sujeción para niños y compruebe si las guías del cinturón del hombro están a la altura adecuada.
2. Pase el cinturón del hombro a través de la guía del cinturón del hombro, y el cinturón de la cintura por las guías del cinturón de la cintura. Abroche la hebilla y tire del cinturón del vehículo para apretarlo. 47

! El cinturón del hombro debe pasar por la guía del cinturón del hombro.

48-1

! El cinturón de la cintura debe pasar por las guías del cinturón de la cintura.

! El dispositivo de sujeción para niños no puede utilizarse si la hebilla del cinturón de seguridad del vehículo (extremo hembra de la hebilla) es demasiado larga para sujetar con seguridad el dispositivo de sujeción para niños. 47-1

! Nunca utilice un cinturón solo de cintura para sujetar al niño por delante.

! No utilice el cinturón del hombro suelto o colocado debajo del brazo.

! No coloque el cinturón del hombro por detrás de la espalda del niño.

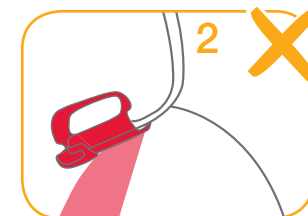
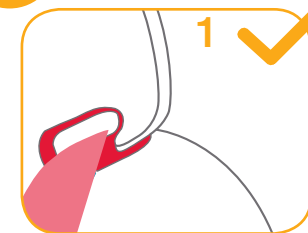
! No permita que el niño se escurra hacia abajo en el dispositivo de sujeción para niños para evitar el riesgo de estrangulamiento.

! Almacene correctamente la correa superior cuando no la utilice. Para asegurarse de que la correa superior esté correctamente guardada, elimine la holgura de la correa para evitar que se balancee cuando el vehículo esté en marcha. 40

47



48



b. Para la instalación con sujeciones ISOFIX y cinturón de 3 puntos de sujeción



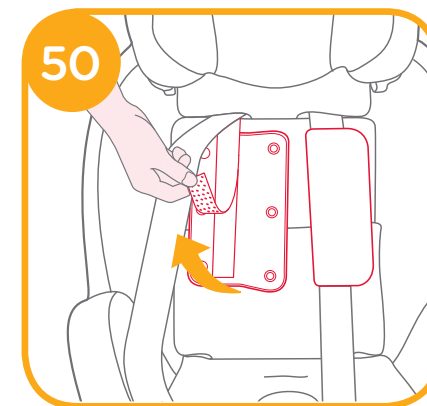
1. La instalación con las sujeciones ISOFIX se muestra en las figuras 29 - 33
2. Coloque al niño en el dispositivo de sujeción para niños y compruebe si las guías del cinturón del hombro están a la altura adecuada.
3. La instalación con cinturón de 3 puntos de sujeción se muestra en las figuras 47 - 48
4. El cinturón de 3 puntos de sujeción y las sujeciones ISOFIX correctamente montados se muestran en la figura 49

- ! Asegúrese de que ambos conectores de sujeciones ISOFIX estén firmemente sujetos a sus puntos de anclaje de sujeciones ISOFIX. Los colores de los indicadores de ambos conectores de sujeciones ISOFIX deberán aparecer completamente en verde. 49 -1
- ! Para asegurarse de que el dispositivo de sujeción para niños está instalado de forma segura, tire de ambos conectores de sujeciones ISOFIX.
- ! El cinturón del hombro debe pasar por la guía del cinturón del hombro. 49 -3
- ! El cinturón de la cintura debe pasar por las guías del cinturón de la cintura.
- ! El dispositivo de sujeción para niños no se puede utilizar si la hebilla del cinturón de seguridad del vehículo (extremo hembra de la hebilla) es demasiado larga para anclar de forma segura el dispositivo de sujeción para niños. 49 -2
- ! Nunca utilice un cinturón solo de cintura para sujetar al niño por delante.
- ! No utilice el cinturón del hombro suelto o colocado debajo del brazo.
- ! No coloque el cinturón del hombro por detrás de la espalda del niño.
- ! No permita que el niño se escurra hacia abajo en el dispositivo de sujeción para niños para evitar el riesgo de estrangulamiento.
- ! Almacene correctamente la correa superior cuando no la utilice. Para asegurarse de que la correa superior esté correctamente guardada, elimine la holgura de la correa para evitar que se balancee cuando el vehículo esté en marcha. 40

Desmontar el acolchado

Consulte las imágenes 50

1. Presione el botón rojo para soltar la hebilla.
 2. Para quitar los acolchados de los hombros, primero suelte los acolchados y, a continuación, quite la cincha sujeta mediante el velcro. 50
 3. Quite el accesorio para niños pequeños y el acolchado de la pelvis.
 4. Suelte los velcros 45 -2 del reposacabezas desde las ranuras de las guías del cinturón del hombro del vehículo y, a continuación, quite la funda del reposacabezas.
 5. Suelte las sujeciones de ambos lados del acolchado del asiento. 45 -1
 6. Suelte las lengüetas elásticas, situadas detrás del reposacabezas, del armazón del asiento.
 7. Suelte la pieza de sujeción de la tela de la parte superior trasera del armazón del asiento.
 8. Tire de la hebilla a través de la ranura del acolchado del asiento y, a continuación, quite el acolchado del asiento del armazón del asiento.
- ! Para montar el acolchado, siga los pasos anteriores en orden inverso.

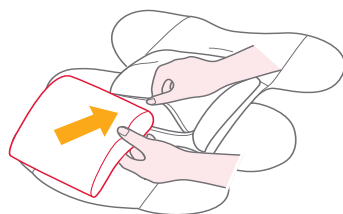


Mantenimiento

Nota

- ! Después de quitar la espuma del accesorio para niños pequeños, guárdela en un lugar donde no pueda acceder el niño.
- ! Lave el acolchado con agua fría por debajo de los 30 °C.
- ! No planche el acolchado.
- ! No limpie en seco ni utilice lejía para lavar el acolchado.
- ! No utilice detergentes neutros sin diluir, gasolina u otros disolventes orgánicos para limpiar el dispositivo de sujeción para niños. Si lo hace, puede dañar el dispositivo de sujeción para niños.
- ! No retuerza el acolchado. Podrían quedar arrugas en el acolchado.
- ! Deje secar el acolchado en un lugar alejado de la luz directa del sol.
- ! Retire este dispositivo de sujeción para niños del asiento del vehículo cuando no vaya a utilizarlo durante un periodo prolongado de tiempo. Guarde el dispositivo de sujeción para niños en un lugar alejado de la luz directa del sol y fuera del alcance de los niños.
- ! Quite la espuma del accesorio para niños pequeños antes de lavarlo a máquina.

Consulte la imagen cuando vuelva a introducir la espuma en el accesorio para niños pequeños.



FR Félicitations

Vous venez d'acheter un dispositif de retenue pour enfants de haute qualité totalement certifié. Ce produit est adapté aux enfants de MOINS de 25 kg (environ 7 ans ou moins).

Lisez attentivement ce manuel d'utilisation et suivez les étapes d'installation car il s'agit du SEUL moyen de protéger votre enfant contre les blessures graves ou la mort en cas d'accident, et d'assurer le confort de votre enfant lors de l'utilisation de ce produit.

Conservez ce manuel d'utilisation pour toute référence future.

Liste de contrôle

Assurez-vous que votre véhicule est équipé de ceintures de sécurité rétractables à 3 points.

Les ceintures de sécurité peuvent présenter une conception et une longueur différentes en fonction du constructeur, de la date de fabrication et du type de véhicule. Ce dispositif de retenue pour enfants convient uniquement pour les véhicules répertoriés dotés de ceintures de sécurité rétractables à 3 points et conformes à la réglementation UN ECE 16 ou d'autres normes équivalentes.

Ce dispositif de retenue pour enfants est approuvé par la série d'amendements de la réglementation UN-ECE 44/04.

Pour des informations sur la garantie, veuillez consulter notre site Web à l'adresse joiebaby.com

! Veuillez conserver le guide d'utilisation dans le compartiment de rangement du couvercle arrière pour toute consultation ultérieure.

Liste des pièces

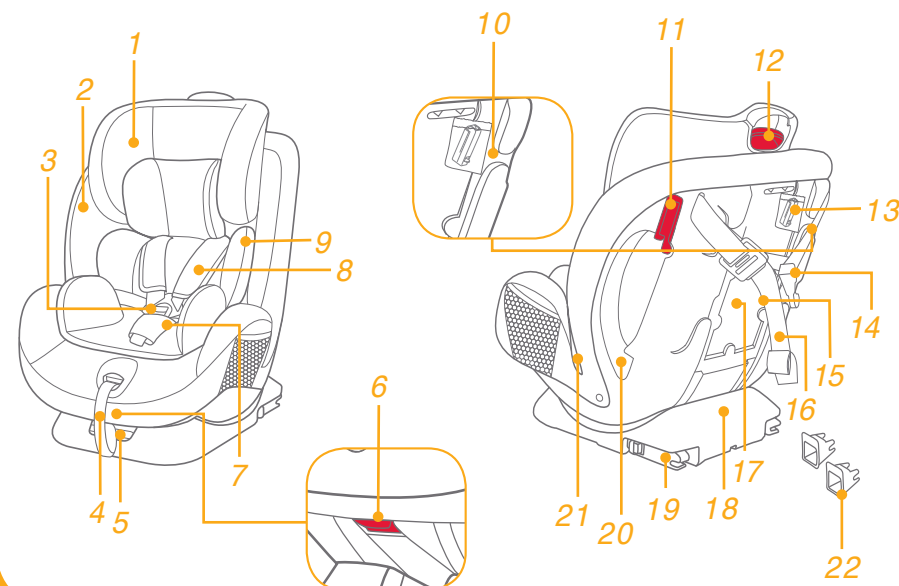
Assurez-vous que toutes les pièces sont présentes avant le montage.

Si une pièce est manquante, contactez votre revendeur local.

Le montage ne nécessite aucun outil.

- | | | | |
|----|--|----|--|
| 1 | Repose-tête | 12 | Repose-tête du support de tête |
| 2 | Assise de siège | 13 | Pince de blocage |
| 3 | Boucle | 14 | Dispositif de réglage de la sangle d'attache |
| 4 | Ajusteur de sangle | 15 | Crochet de la sangle d'attache |
| 5 | Déverrouillage des fixations ISOFIX Bouton | 16 | Sangle d'attache supérieure |
| 6 | Poignée de réglage de l'inclinaison | 17 | Manuel d'utilisation Compartiment de rangement |
| 7 | Coussinet d'entrejambe | 18 | Base |
| 8 | Harnais d'épaules | 19 | Connecteurs des fixations ISOFIX |
| 9 | Support pour bébé | 20 | Fente arrière pour la ceinture de sécurité |
| 10 | Position dos à la route :
Fente pour la sangle d'épaule | 21 | Guides pour la ceinture abdominale |
| 11 | Dispositif de verrouillage | 22 | Guides des fixations ISOFIX |

Les pièces souples comprennent un coussin de siège, un coussinet d'entrejambe, un coussinet d'épaules, un support de tête et un support pour bébé. Veuillez vous assurer qu'aucune pièce ne manque. Contactez le revendeur en cas de pièces manquantes.



AVERTISSEMENT

- ! AUCUN siège de bébé ne peut garantir une protection complète contre les blessures en cas d'accident. Cependant, une bonne utilisation de ce dispositif de retenue pour enfants réduit les risques de blessures graves et de mort pour votre enfant.
- ! Ce dispositif de retenue pour enfants est conçu **UNIQUEMENT** pour les enfants de moins de 25 kg (environ 7 ans ou moins).
- ! N'utilisez **PAS** le mode face à la route si le poids de l'enfant ne dépasse pas 9 kg.
- ! Les sangles de fixation du dispositif de retenue pour enfants au véhicule doivent être serrées, les sangles de retenue de l'enfant doivent être ajustées à son corps et ne doivent pas être tordues.
- ! N'utilisez **PAS** et n'installez pas ce dispositif de retenue pour enfants avant d'avoir lu et compris les instructions de ce manuel et du manuel du propriétaire du véhicule.
- ! Concernant le danger d'apporter des modifications ou des ajouts au dispositif sans l'approbation de l'autorité d'approbation, et le danger de ne pas respecter strictement les instructions d'installation fournies par le fabricant du dispositif de retenue pour enfants.
- ! N'apportez **AUCUNE** modification à ce dispositif de retenue pour enfants et ne l'utilisez pas avec des pièces d'autres fabricants.
- ! N'utilisez **PAS** ce dispositif de retenue pour enfants s'il comprend des pièces endommagées ou s'il y a des pièces manquantes.
- ! Ne mettez **PAS** de vêtements mal adaptés à votre enfant lors de l'utilisation de ce dispositif de retenue pour enfants en mode bébé ou bambin, car votre enfant pourrait ne pas être correctement attaché par les harnais d'épaules et les harnais entre les cuisses.
- ! En cas d'utilisation de ce dispositif de retenue pour enfants en mode bébé ou bambin, la ceinture de sécurité doit être utilisée correctement, en vérifiant que la ceinture abdominale est bien placée en bas, afin que le bassin soit bien engagé.
- ! Ne laissez **PAS** ce dispositif de retenue pour enfants dans votre véhicule détaché ou non fixé, car il risque d'être éjecté et blesser les passagers lors de virages serrés, d'arrêts brusques ou de collisions. Il faut l'enlever en cas de non utilisation régulière.
- ! L'enfant ne doit pas resté attaché au dispositif de retenue pour enfants sans surveillance.
- ! Ne placez **PAS** ce dispositif de retenue pour enfants face à un airbag si votre enfant est en mode dos à la route.

AVERTISSEMENT

- ! N'utilisez **JAMAIS** un dispositif de retenue pour enfants d'occasion ou dont vous ne connaissez pas l'historique, car il pourrait présenter des dommages structurels mettant la sécurité de votre enfant en péril.
- ! Ne laissez pas ce dispositif de retenue pour enfants exposé au soleil, car il pourrait devenir trop chaud pour la peau de l'enfant.
- ! N'utilisez **JAMAIS** de cordes ou autres objets similaires à la place des ceintures de sécurité, cela pourrait causer des blessures.
- ! N'utilisez **PAS** ce dispositif de retenue pour enfants comme un siège ordinaire, car il risque de tomber et blesser l'enfant.
- ! Le dispositif de retenue pour enfant ne doit pas être utilisé sans les pièces souples.
- ! Les pièces souples ne doivent pas être remplacées par d'autres pièces que celles recommandées par le fabricant, car elles font partie intégrante des performances du dispositif de retenue.
- ! **NE** placez **Aucun** un autre objet dans ce dispositif de retenue pour enfant à part les coussinets internes recommandés.
- ! Ne transportez **PAS** ce dispositif de retenue pour enfants avec un enfant dedans.
- ! Les bagages et les autres objets susceptibles de causer des blessures en cas de collision doivent être correctement arrimés.
- ! Ne laissez pas le harnais ou les boucles du dispositif de retenue pour enfant pris ou attrapés par un siège ou une porte du véhicule.
- ! Le dispositif doit être remplacé s'il a été soumis à des tensions violentes dans un accident.
- ! Retirez ce dispositif de retenue pour enfants du siège du véhicule s'il ne va pas être utilisé pendant une longue période.
- ! Pour éviter les risques d'étouffement, enlevez le sac plastique et les matériaux d'emballage avant d'utiliser ce produit. Le sac en plastique et les matériaux d'emballage doivent être conservés hors de la portée des bébés et des enfants.
- ! Consultez le distributeur pour tout problème concernant la maintenance, la réparation et le remplacement de pièces.
- ! N'utilisez **PAS** de points de contact porteurs autres que ceux décrits dans le manuel et indiqués sur le dispositif de retenue pour enfants.
- ! Vérifiez régulièrement la présence de saleté sur les guides des fixations ISOFIX et nettoyez-les si nécessaire. La fiabilité peut être affectée par l'infiltration de poussière, saletés, particules de nourriture, etc.

AVERTISSEMENT

! N'installez PAS ce dispositif de retenue pour enfants dans les conditions suivantes :

1. Sièges de véhicule avec ceintures de sécurité à 2 points seulement.
2. Sièges de véhicule orientés sur le côté ou dos à la route par rapport au sens de déplacement du véhicule.
3. Sièges de véhicule instables lors de l'installation.

Urgence

En cas d'urgence ou d'accident, il est très important que votre enfant soit immédiatement pris en charge par les premiers secours et reçoive des soins médicaux.

Informations sur le produit

Pour une installation avec une ceinture 3 points ou un système ISOFIX (fixations ISOFIX et sangle supérieure)

1. Il s'agit d'un siège d'un dispositif de retenue pour enfants « universel ». Il est approuvé par la réglementation UN ECE 44, série d'amendements 04, pour une utilisation générale dans des véhicules et il sera adapté à la plupart des sièges de voiture.
2. Le siège sera probablement adapté si le fabricant du véhicule a indiqué dans le manuel du véhicule que celui-ci peut accepter un dispositif de retenue pour enfants « Universel » pour ce groupe d'âge.
3. Ce dispositif de retenue pour enfants a été classé « Universel » dans des conditions plus strictes que celles appliquées à de précédents modèles ne portant pas cette indication.
4. En cas de doute, consultez le fabricant ou le revendeur du dispositif de retenue pour enfants.

Pour une installation avec un système ISOFIX (fixations ISOFIX et sangle supérieure)

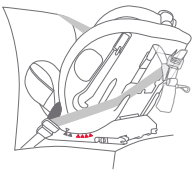

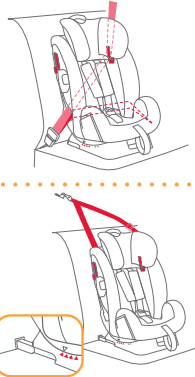

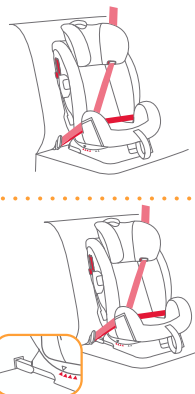

1. Il s'agit d'un SYSTÈME DE RETENUE D'ENFANT ISOFIX. Il est approuvé par la série d'amendements de la réglementation UN-ECE 44/04 pour une utilisation générale dans des véhicules équipés de systèmes d'ancrage ISOFIX. Il est compatible avec les sièges de la plupart des véhicules.
2. Il est compatible avec les véhicules ayant des positions approuvées en tant que positions ISOFIX (telles que détaillées dans le manuel du véhicule), selon la catégorie du dispositif de retenue pour enfants et de la fixation.
3. Les positions des sièges dans d'autres voitures peuvent également être adaptées au dispositif de retenue pour enfants. En cas de doute, veuillez consulter le fabricant du dispositif de retenue pour enfants ou le constructeur du véhicule.
4. Ce dispositif est destiné à la classe de taille ISOFIX B1.

Pour une installation avec des fixations ISOFIX et une ceinture à 3 points

1. Le dispositif de retenue pour enfants est classé pour une utilisation « Semi-Universelle ».
2. Les positions des sièges dans d'autres voitures peuvent également être adaptées au dispositif de retenue pour enfants. En cas de doute, veuillez consulter le fabricant du dispositif de retenue pour enfants ou le constructeur du véhicule.

Produit	Siège bébé
Modèle	C1719
Convient à	Enfants pesant de 0 à 25 kg (environ 0 à 7 ans)
Groupe de masse	0+/1/2
Matériaux	Plastiques, métal, tissus
N° brevet.	Brevets en attente

Choix du mode d'installation

Poids de l'enfant	Mode d'installation	Illustration pour l'installation	Âge de référence	Position du siège	Instructions relatives au support pour bébé
<18kg	Mode dos à la route		<4 ans	Position 5-6 	Le support pour bébé doit être utilisé de 0 à 9 mois pour permettre de retenir fermement l'enfant
9-18kg	Mode bébé		1 à 4 ans	Position 1-4 	Lorsque vous installez le dispositif de retenue pour enfants en mode bambin, n'utilisez pas le support pour bébé.
15-25kg	Mode Junior		3 à 7 ans	Position 1-4 	Enlevez le coussin d'entrejambe et l'insert pour nourrisson et rangez le harnais dans les emplacements appropriés

Important

1. N'utilisez PAS le mode face à la route si le poids de l'enfant ne dépasse pas 9 kg.
2. Lorsque l'enfant peut être installé en modes bambin et bébé, il est conseillé d'installer ce dispositif de retenue pour enfants en mode bébé, car il est relativement plus sûr.

Réglage de l'inclinaison

voir images 3 - 4

Serrez la poignée de réglage de l'inclinaison et ajustez le dispositif de retenue pour enfants à la position appropriée. 3

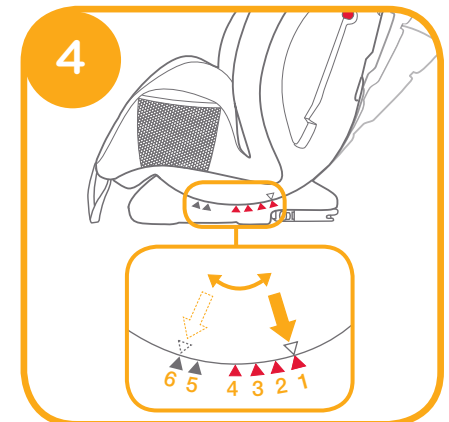
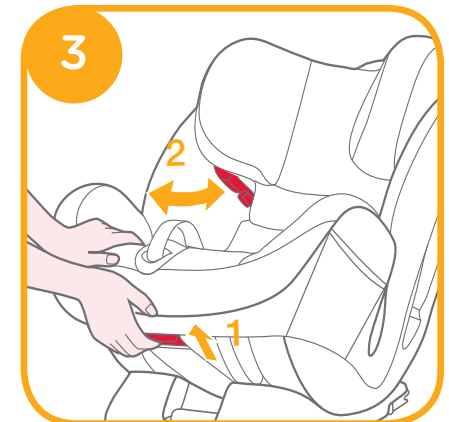
Les angles d'inclinaison sont illustrés en 4

Il y a deux angles d'inclinaison 5-6 pour le mode bébé, ils sont indiqués par des triangles bleus.

Il y a quatre angles d'inclinaison 1-4 pour le mode bambin et le mode junior, ils sont indiqués par des triangles rouges.

Indication de l'angle : avec les triangles supérieur et inférieur alignés.

! Assurez-vous que la ceinture de sécurité du véhicule sera resserrée en cas de réglage en position inclinée et vice versa si le siège était déjà correctement bouclé.



Ajustement de la hauteur du support pour tête et du harnais pour épaules

voir images 5 - 6

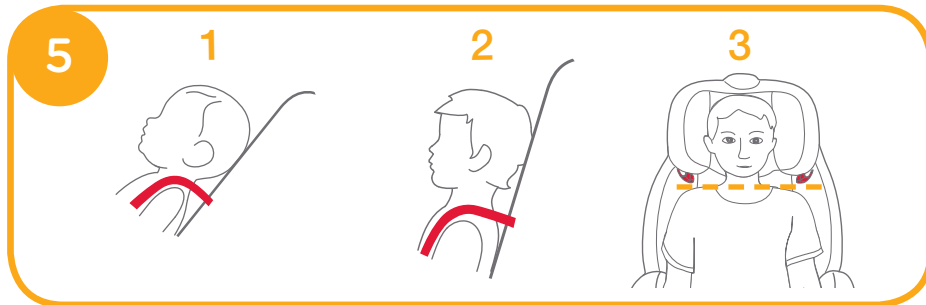
Ajustez le support de tête et les harnais d'épaules à la bonne hauteur selon la taille de votre enfant.

! En cas d'utilisation en mode bébé, les harnais d'épaules doivent être à niveau avec les épaules de l'enfant. 5-1

! En cas d'utilisation en mode bambin, les harnais d'épaules doivent être à niveau avec les épaules de l'enfant. 5-2

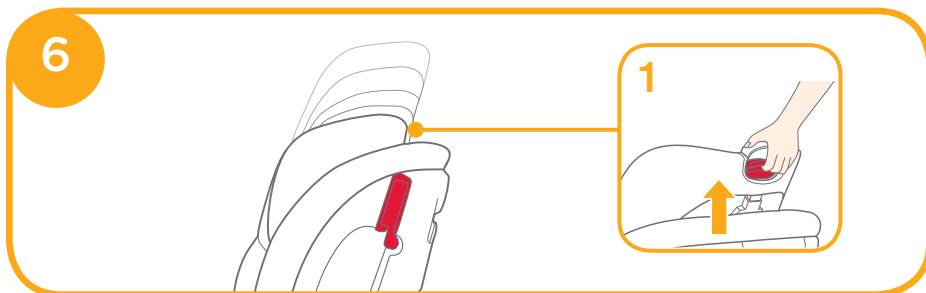
! En cas d'utilisation en mode junior, les harnais d'épaules doivent être à niveau avec les épaules de l'enfant. 5-3

Si les harnais d'épaules ne sont pas à la bonne hauteur, l'enfant pourrait être éjecté du dispositif de retenue pour enfants en cas d'accident.



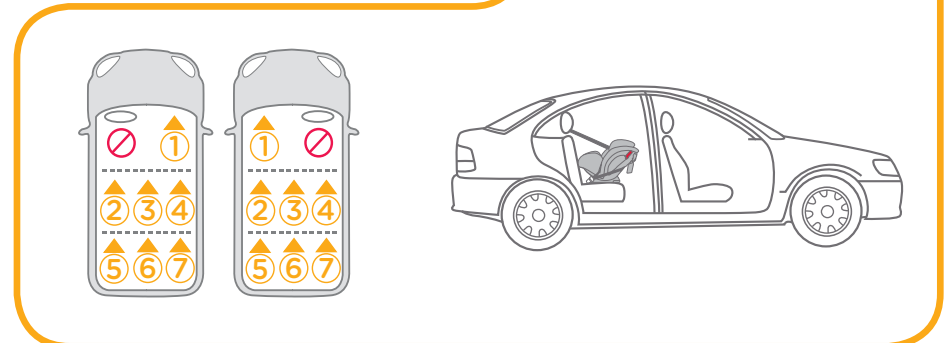
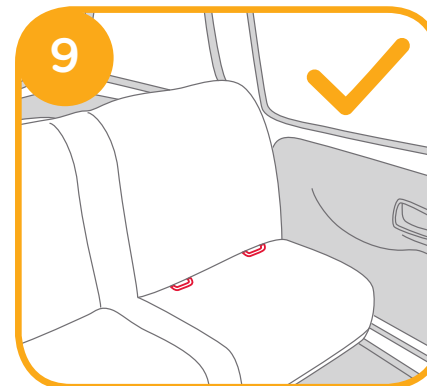
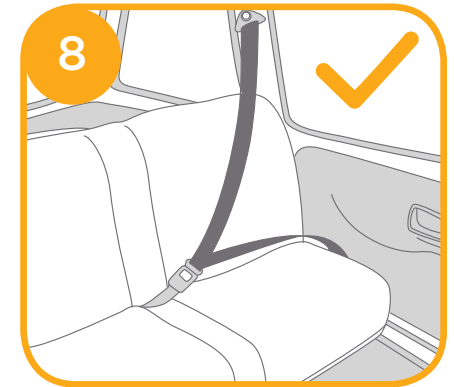
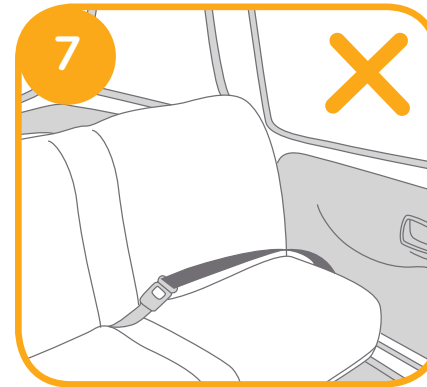
Appuyez sur le levier d'ajustement du support pour la tête 6-1 tout en tirant sur le support vers le haut ou le bas pour le placer sur l'une des 5 positions.

Les positions du support de tête sont illustrées en 6



Remarques sur l'installation

voir images 7 - 10



Mode dos à la route

(Mode dos à la route/pour enfants de moins de 18 kg/nouveaux nés-jusqu'à 4 ans)

voir images 11 - 23

! Veuillez installer le dispositif de retenue pour enfants sur le siège arrière du véhicule, puis placez l'enfant dans le siège.

i. Installation pour le mode dos à la route

! Il faut régler le dispositif de retenue pour enfants sur un angle approprié (2 positions pour le mode bébé). Indication de l'angle : Avec le triangle supérieur et le triangle bleu alignés.

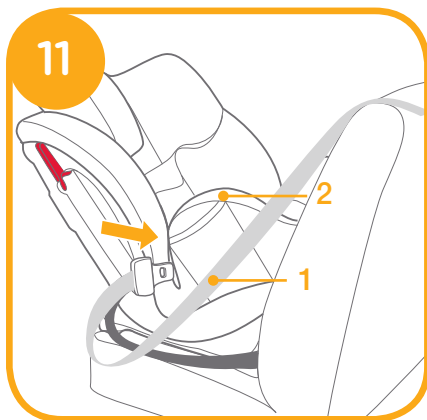
! Vérifiez que les harnais d'épaules sont à la bonne hauteur avant d'installer ce dispositif de retenue pour enfants.

! Lorsque vous installez et ajustez les ceintures de sécurité, vérifiez que la ceinture d'épaules et celle pour la taille ne sont pas tordues et ne bloquent pas le bon fonctionnement des ceintures de sécurité.

1. Retirez le support pour bébé.

! La ceinture ventrale du véhicule doit passer sous le support pour bébé.

2. Passez la ceinture ventrale du véhicule 11-1 au-dessus des guides pour la ceinture abdominale, puis engagez la languette de la boucle du véhicule dans la boucle. 12



3. Installez la ceinture d'épaules du véhicule dans les deux fentes pour ceinture d'épaules du véhicule dos à la route à l'arrière de la coque du siège. 13

! La ceinture d'épaules du véhicule doit passer par les fentes pour ceinture d'épaules du véhicule dos à la route.

! L'attache de verrouillage ne sert que lorsque le dispositif de retenue pour enfants est utilisé en mode dos à la route.

! L'attache de verrouillage renforce la sécurité du dispositif de retenue pour enfants.

! Veuillez remettre l'attache de verrouillage et le cordon dans la pochette lorsqu'ils ne sont pas utilisés.

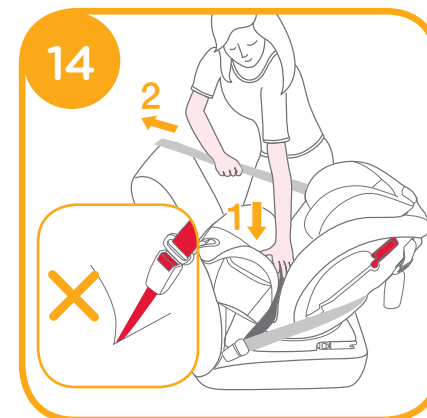
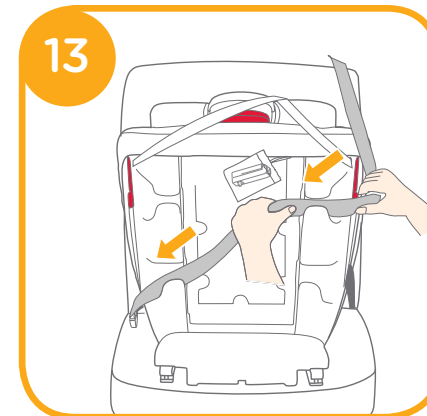
4. Tout en appuyant sur le dispositif de retenue pour enfants, tirez les sangles pour serrer le dispositif de retenue pour enfants fermement et en toute sécurité. 14

! Le dispositif de retenue pour enfants ne peut pas être utilisé si la boucle de ceinture de sécurité du véhicule (extrémité femelle de la boucle) est trop longue pour fixer le dispositif de retenue pour enfants de façon sûre.

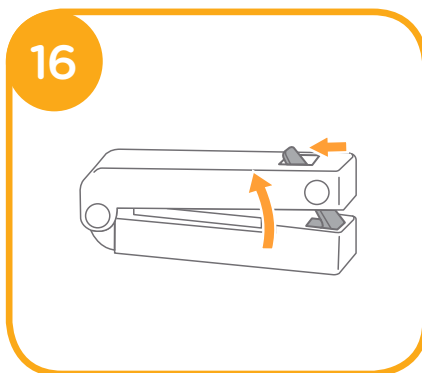
! Veuillez vérifier en déplaçant le dispositif de retenue pour enfants d'avant en arrière.

5. Retirez l'attache de verrouillage de la pochette. 15

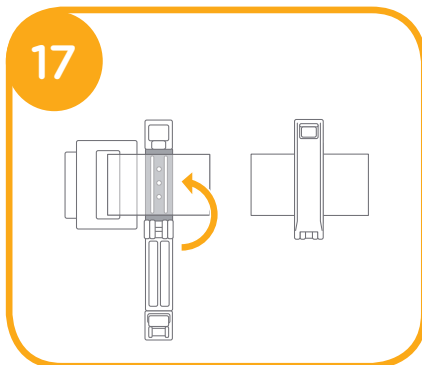
! Lorsqu'il n'est pas utilisé, la sangle d'attache supérieure DOIT être correctement rangée. Pour vous assurer que la sangle d'attache supérieure est bien rangée, ne pas la laisser lâche pour éviter qu'elle ne s'agite lorsque le véhicule est en déplacement. 40



6. Appuyez sur le bouton pour ouvrir l'attache de verrouillage. 16

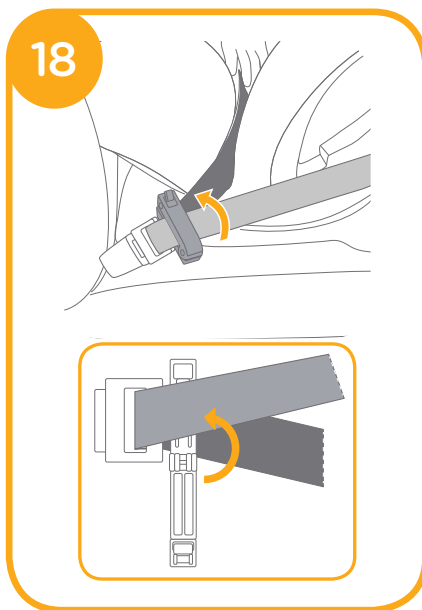


7. Enfilez la sangle diagonale dans l'attache de verrouillage, puis fixez l'attache de verrouillage. 17



8. Refermez l'attache de verrouillage. 18

! Veuillez vérifier si le dispositif de retenue pour enfants est bien installé en déplaçant le dispositif de retenue pour enfants d'avant en arrière au niveau du passage de la ceinture de sécurité du véhicule. Veuillez vous reporter au manuel de l'utilisateur du véhicule pour plus d'informations. (Le dispositif de retenue pour enfants ne doit pas bouger de plus de 25 mm/1").

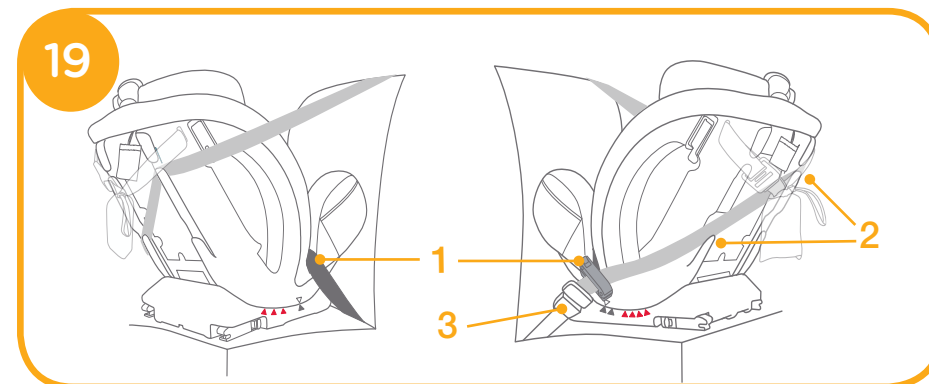


Ceinture de sécurité du véhicule correctement assemblée illustrée en 19

! La ceinture pour la taille passe à travers les guides pour ceinture abdominale, comme illustré en 19 -1

! La ceinture d'épaules doit passer par la fente pour ceinture d'épaules du véhicule dos à la route, comme illustré en 19 -2

! La languette de la boucle est engagée dans la boucle correctement, comme illustré en 19 -3



ii. Bien attacher votre enfant dans le dispositif de retenue pour enfants

Utilisation du support pour bébé



Nous conseillons d'utiliser le support pour enfant intégral lorsque le bébé est âgé de 0 à 6 mois ou jusqu'à ce qu'il dépasse du support. Le support pour bébé augmente la protection contre les impacts latéraux.

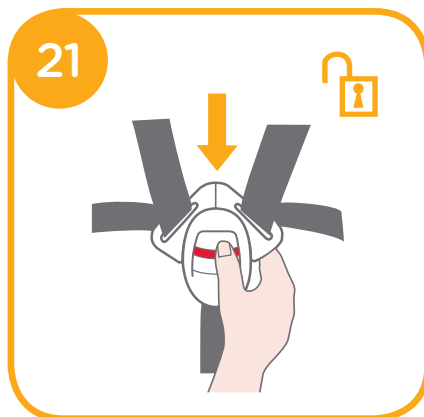


Détachez les fermoirs du support de tête afin d'enlever la portion de tête du support pour bébé.

1. Tout en appuyant sur le bouton de réglage du harnais, tirez complètement les deux harnais d'épaules du dispositif de retenue pour enfants. 20

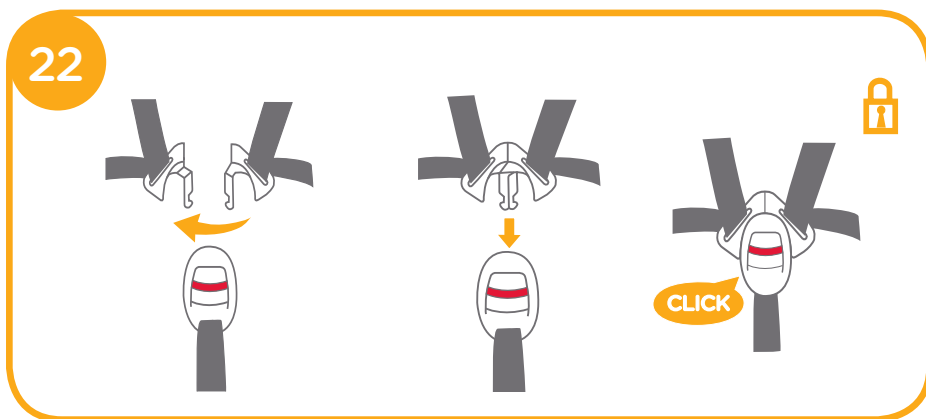


2. Appuyez sur le bouton rouge pour détacher la boucle. 21



3. Placez le support pour bébé dans le dispositif de retenue pour enfants, puis placez l'enfant dans le dispositif de retenue pour enfants et faites passer les deux bras dans le harnais.

4. Engagez la boucle. 22



5. Tirez les sangles de réglage vers le bas et réglez-les à la longueur appropriée pour vous assurer que votre enfant est bien attaché. 23



! Une fois votre enfant installé, vérifiez à nouveau si les harnais d'épaules sont à la bonne hauteur.

! Assurez-vous que l'espace entre l'enfant et le harnais d'épaules fait à peu près l'épaisseur d'une main.

Mode bambin

(Mode face à la route/pour les enfants de 9 à 18kg / 1 à 4 ans)

voir images 24 - 43

! Installez le dispositif de retenue pour enfants sur le siège du véhicule, avant d'y placer l'enfant.

i. Installation pour le mode Bambin

! Il faut régler le dispositif de retenue pour enfants sur un angle approprié (4 positions pour le mode bambin). Indication de l'angle : Avec le triangle supérieur et le triangle rouge alignés.

! Réglez les harnais d'épaules à la bonne hauteur avant d'installer le dispositif de retenue pour enfants.

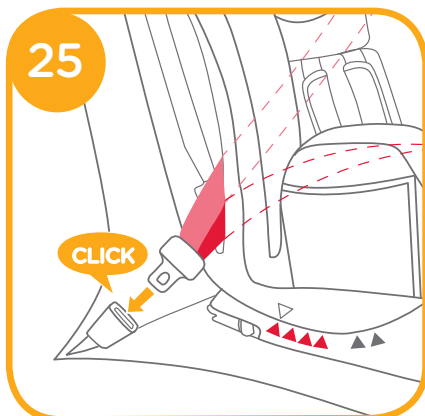
! Lorsque vous installez et ajustez les ceintures de sécurité, vérifiez que la ceinture d'épaules et celle pour la taille ne sont pas tordues et ne bloquent pas le bon positionnement des ceintures de sécurité.

a. Pour installation avec ceinture à 3 points

1. Enfilez la ceinture de sécurité dans les deux fentes pour ceinture de sécurité à l'arrière du dispositif de retenue pour enfants. 24



2. Bouclez la ceinture de sécurité. 25



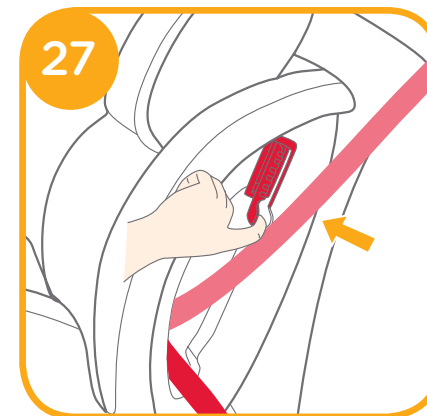
3. Tout en appuyant sur le dispositif de retenue pour enfants, tirez les sangles pour serrer le dispositif de retenue pour enfants fermement et en toute sécurité. 26



! Le dispositif de retenue pour enfants ne peut pas être utilisé si la boucle de la ceinture de sécurité du véhicule (extrémité femelle de la boucle) est trop longue pour arrimer fermement le dispositif de retenue pour enfants. 26 -1

4. Ouvrez le dispositif de verrouillage et insérez-y la ceinture de sécurité. 27

! Veuillez vérifier si le dispositif de retenue pour enfants est bien installé en déplaçant le dispositif de retenue pour enfants d'avant en arrière au niveau du passage de la ceinture de sécurité du véhicule. (Le dispositif de retenue pour enfants ne doit pas bouger de plus de 25 mm/1").

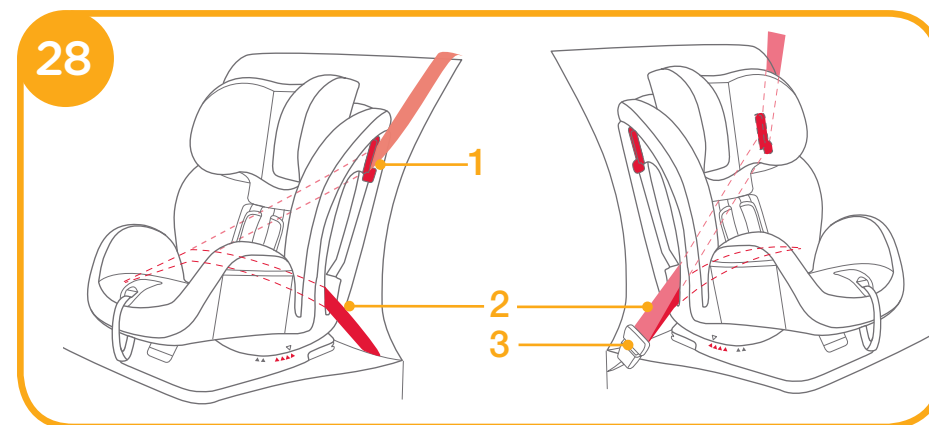


Ceinture de sécurité assemblée illustrée en 28

! La ceinture d'épaules passe par le dispositif de verrouillage, comme illustré en 28 -1

! La ceinture ventrale passe par les fentes arrière pour la ceinture de sécurité, comme illustré en 28 -2

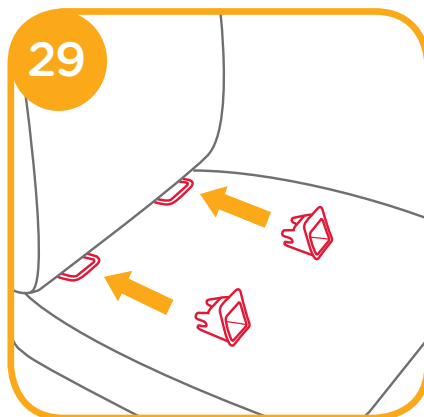
! La languette de la boucle est engagée dans la boucle correctement, comme illustré en 28 -3



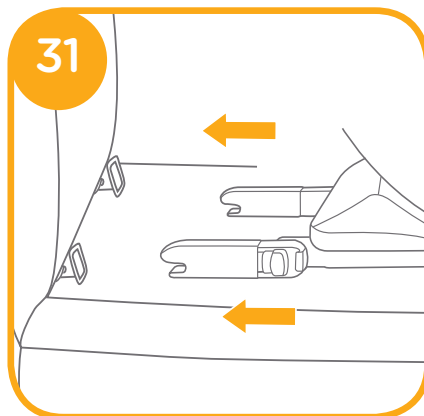
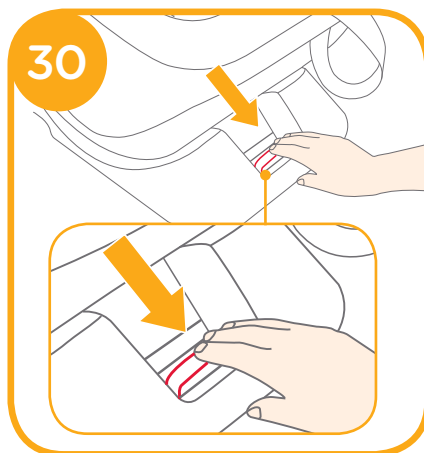
! Lorsqu'il n'est pas utilisé, la sangle d'attache supérieure DOIT être correctement rangée. Pour vous assurer que la sangle d'attache supérieure est bien rangée, ne pas la laisser lâche pour éviter qu'elle ne s'agite lorsque le véhicule est en déplacement. 40

**b. Pour une installation avec un système ISOFIX
(fixations ISOFIX et sangle supérieure)**

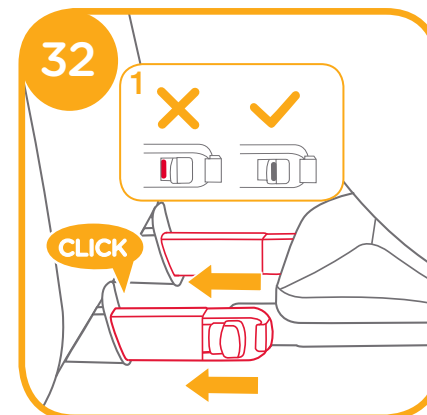
1. Ajustez les guides des fixations ISOFIX avec les points d'ancrage des fixations ISOFIX. Les guides des fixations ISOFIX peuvent protéger la surface du siège du véhicule contre les déchirures. Ils peuvent également guider les connecteurs des fixations ISOFIX. **29**



2. Étendez les connecteurs des fixations ISOFIX en actionnant le bouton de déverrouillage **30** tout en tirant sur le connecteur **31**

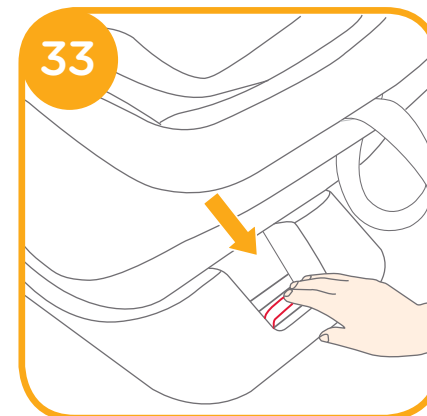


! Assurez-vous que les deux connecteurs des fixations ISOFIX sont solidement fixés aux points d'ancrage de leurs fixations ISOFIX. Les indicateurs des deux connecteurs des fixations ISOFIX doivent être complètement verts. **32**



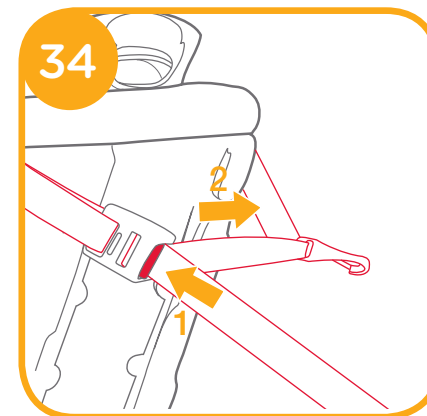
! Les connecteurs des fixations ISOFIX doivent être fixés et verrouillés sur les points d'ancrage des fixations ISOFIX.

! Assurez-vous que le dispositif de retenue pour enfants est bien installé en tirant sur les deux connecteurs des fixations ISOFIX.



! Sélectionnez la position d'inclinaison souhaitée avant de remettre contre le siège du véhicule, car une fois la sangle supérieure fixée et tendue, l'angle d'inclinaison ne pourra pas être modifié sans régler la sangle supérieure.

3. Appuyez sur le bouton de déverrouillage des fixations ISOFIX et poussez le dispositif de retenue pour enfants contre le siège du véhicule jusqu'à ce qu'il soit serré. **33**



4. Pour étendre la sangle supérieure, appuyez sur le bouton sur le dispositif de réglage de la sangle et tirez pour l'allonger. **34**

5. Raccordez solidement le crochet de la sangle d'attache à l'ancrage. **35**

! Utilisez la sangle supérieure pour l'installation en mode bébé si le véhicule est équipé d'un ancrage de sangle et si les exigences du véhicule sont respectées (voir le manuel d'utilisation du véhicule).

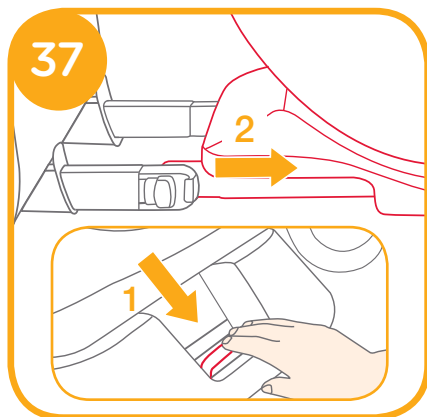
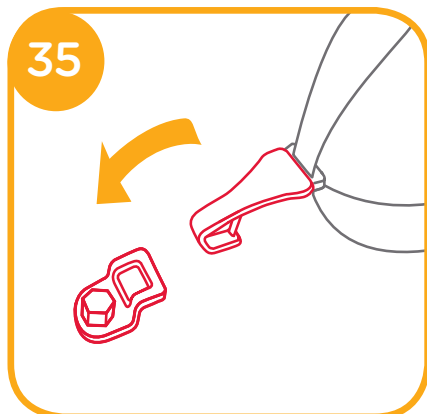
6. Un système ISOFIX correctement assemblé (fixations ISOFIX et sangle supérieure) est illustré en **36**

! Assurez-vous que le crochet de la sangle d'attache est solidement fixé à l'ancrage. Les indicateurs du dispositif de réglage de la sangle doivent être complètement verts. **36 -1**

! Si l'angle d'inclinaison est réglé, vérifiez la tension de la sangle supérieure ou desserrez pour régler l'angle puis tendez-la à nouveau.

Retrait de la base

1. Pour l'enlever du véhicule, appuyez sur le bouton de déverrouillage des fixations ISOFIX **37 -1** et retirez la base du siège. **37 -2**

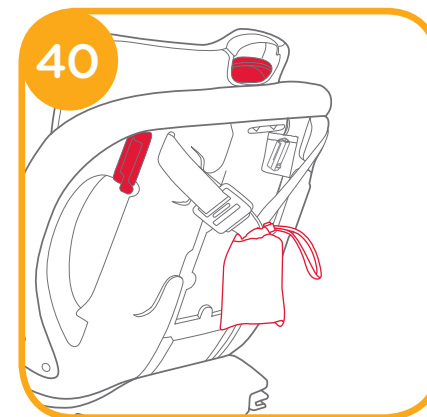
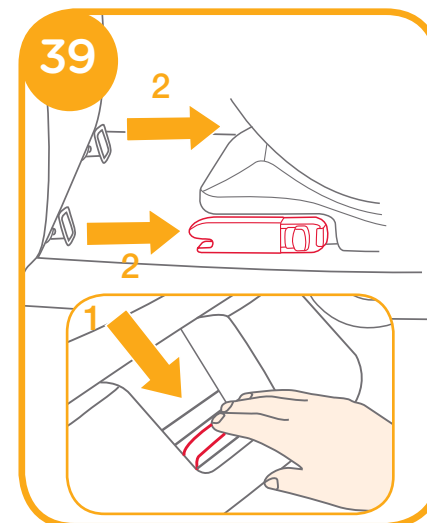
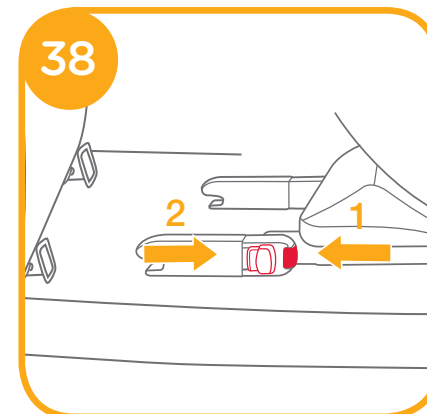


2. Puis appuyez et relâchez les connecteurs du système ISOFIX du véhicule. **38**

! Les fixations ISOFIX sont complètement rétractées dans la base **39**

! Lorsqu'il n'est pas utilisé, la sangle d'attache supérieure DOIT être correctement rangée. Pour vous assurer que la sangle d'attache supérieure est bien rangée, ne pas la laisser lâche pour éviter qu'elle ne s'agite lorsque le véhicule est en déplacement. **40**

! Lorsque la pochette n'est pas utilisée, veuillez la ranger correctement.



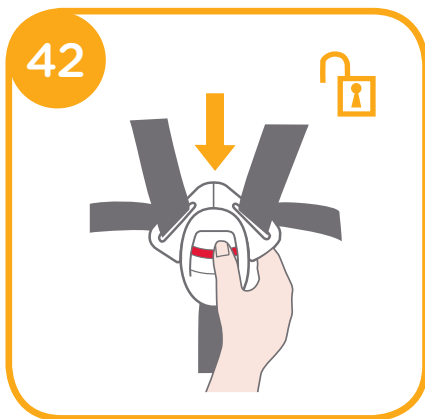
ii. Bien attacher votre enfant dans le dispositif de retenue pour enfants

! Lorsque vous installez le dispositif de retenue pour enfants en mode bambin, n'utilisez pas le support pour bébé.

1. Tout en appuyant sur le bouton de réglage du harnais, tirez complètement les deux harnais d'épaules du dispositif de retenue pour enfants. 41



2. Appuyez sur le bouton rouge pour détacher la boucle. 42

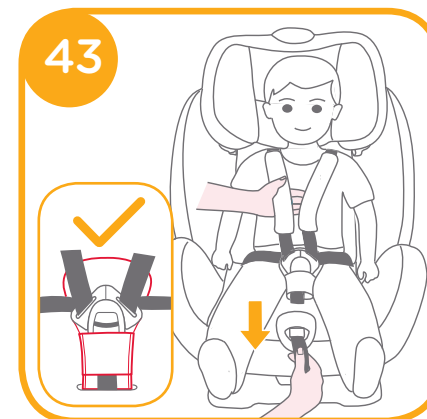


3. Placez l'enfant dans le dispositif de retenue pour enfants et fermez la boucle.

4. Tirez les sangles de réglage vers le bas et réglez-les à la longueur appropriée afin que votre enfant soit bien attaché. 43

! Une fois votre enfant installé, vérifiez à nouveau si les harnais d'épaules sont à la bonne hauteur.

! Assurez-vous que l'espace entre l'enfant et le harnais d'épaules fait à peu près l'épaisseur d'une main.



Mode Junior

(Mode face à la route / pour enfants de 15-25 kg / 3-7 ans)

voir images 44 - 49

i. Installation pour le mode Junior

! Veuillez utiliser uniquement la ceinture de sécurité du véhicule en cas d'installation du dispositif de retenue pour enfants en mode junior. N'utilisez pas le support pour bébé ni un harnais à 5 points. Veuillez ranger les harnais d'épaules, la boucle et les languettes de la boucle dans leurs compartiments de rangement respectifs.

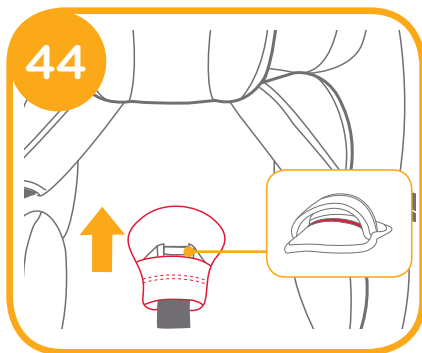
! Ajustez les harnais d'épaules à la longueur appropriée avant de les ranger ainsi que la boucle dans leurs compartiments de rangement.

! Il faut régler le dispositif de retenue pour enfants sur un angle approprié (4 positions pour le mode junior). Indication de l'angle : Avec le triangle supérieur et le triangle rouge alignés.

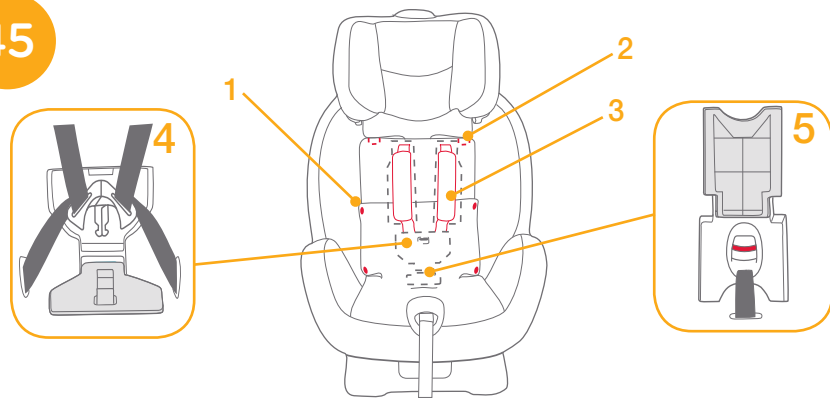
! Lorsque vous installez et ajustez les ceintures de sécurité, vérifiez que la ceinture d'épaules et celle pour la taille ne sont pas tordues et ne bloquent pas le bon positionnement des ceintures de sécurité.

1. Appuyez sur le bouton rouge pour désengager la boucle. **42**
2. Pour enlever le coussin pour l'entrejambe, localisez d'abord l'élastique sur l'intérieur du coussin pour l'entrejambe. Retirez l'élastique et le coussin pour l'entrejambe de la boucle pour les enlever. **44**
3. Retirez le support pour bébé.

! Lorsque vous installez le dispositif de retenue pour enfants en mode junior, n'utilisez pas le support pour bébé.



45



4. Détachez les boutons-pression **45 -1** et la fermeture velcro sur le coussin de siège. **45 -2**
5. Soulevez le rabat supérieur du coussin de siège vers le haut et tirez le rabat inférieur vers l'avant. Puis rangez les sangles d'épaules **45 -3** et les languettes de la boucle dans leurs compartiments de rangement. **45 -4**
6. Tirez la boucle par la fente du coussin de siège, puis rangez la boucle dans son compartiment de rangement. **45 -5**
7. Rattachez les boutons-pression **45 -1** et la fermeture velcro **45 -2** pour recouvrir la coque du siège. **46**

! Pour repasser en mode bébé depuis le mode junior, veuillez inverser les étapes ci-dessus.



ii. Bien attacher votre enfant dans le dispositif de retenue pour enfants

a. Pour installation avec ceinture à 3 points

1. Placez l'enfant dans le dispositif de retenue pour enfants et vérifiez si les guides des ceintures d'épaule sont à la bonne hauteur.
2. Positionnez la ceinture d'épaules dans le guide de la ceinture d'épaules, passez la ceinture ventrale dans les guides de la ceinture abdominale. Fermez la boucle et tirez sur la ceinture du véhicule pour serrer. **47**

! La ceinture d'épaules doit passer dans le guide de la ceinture d'épaules. **48 -1**

! La ceinture ventrale doit passer dans les guides de la ceinture abdominale.

! Le dispositif de retenue pour enfants ne peut pas être utilisé si la boucle de la ceinture de sécurité du véhicule (extrémité femelle de la boucle) est trop longue pour arrimer fermement le dispositif de retenue pour enfants. **47 -1**

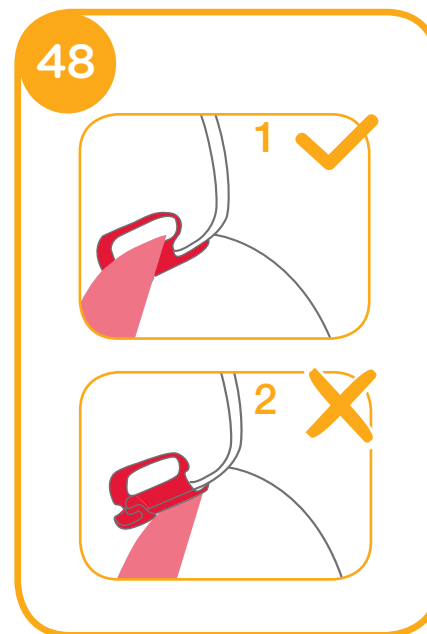
! N'utilisez jamais une ceinture du véhicule uniquement ventrale en vue d'attacher un enfant par l'avant.

! N'utilisez pas une ceinture d'épaules lâche ou positionnée sous le bras.

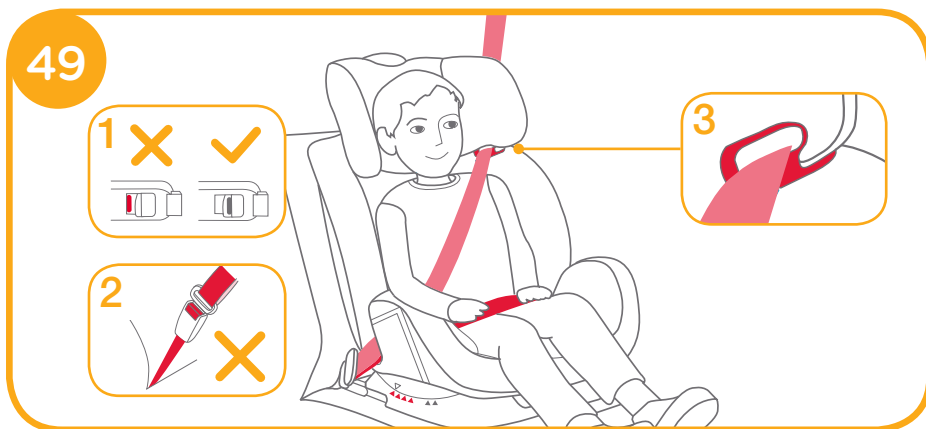
! N'utilisez pas la ceinture d'épaules derrière le dos de l'enfant.

! Ne laissez pas l'enfant glisser dans le dispositif de retenue pour enfants en raison du risque d'étranglement.

! Lorsqu'il n'est pas utilisé, la sangle d'attache supérieure DOIT être correctement rangée. Pour vous assurer que la sangle d'attache supérieure est bien rangée, ne pas la laisser lâche pour éviter qu'elle ne s'agite lorsque le véhicule est en déplacement. **40**



b. Pour une installation avec ceinture à 3 points et fixations ISOFIX

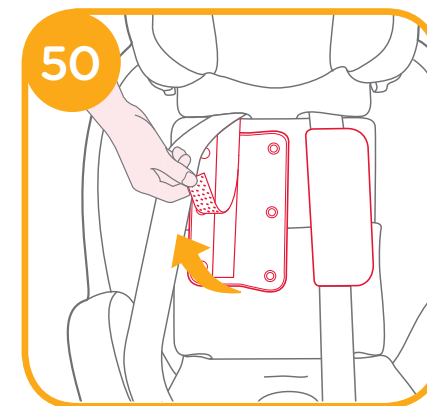


1. Installation avec fixations ISOFIX illustrée en 29 - 33
 2. Placez l'enfant dans le dispositif de retenue pour enfants et vérifiez si les guides des ceintures d'épaule sont à la bonne hauteur.
 3. Installation avec ceinture à 3 points illustrée en 47 - 48
 4. Ceinture à 3 points et fixations ISOFIX correctement assemblés illustrés en 49
- ! Vérifiez que les deux connecteurs des fixations ISOFIX sont bien fixés aux points d'ancrage de leurs fixations ISOFIX. Les indicateurs des deux connecteurs des fixations ISOFIX doivent être complètement verts. 49 -1
- ! Vérifiez que le dispositif de retenue pour enfants est bien installé en tirant sur les deux connecteurs des fixations ISOFIX.
- ! La ceinture d'épaules doit passer dans le guide de la ceinture d'épaules. 49 -3
- ! La ceinture pour la taille doit passer dans les guides de la ceinture abdominale.
- ! Le dispositif de retenue pour enfants ne peut pas être utilisé si la boucle de ceinture de sécurité du véhicule (extrémité femelle de la boucle) est trop longue pour fixer le dispositif de retenue pour enfants de façon sûre. 49 -2
- ! N'utilisez jamais une ceinture du véhicule uniquement pour la taille en vue d'attacher un enfant par l'avant.
- ! N'utilisez pas une ceinture d'épaules lâche ou positionnée sous le bras.
- ! N'utilisez pas la ceinture d'épaules derrière le dos de l'enfant.
- ! Ne laissez pas l'enfant glisser vers le bas dans le dispositif de retenue pour enfants afin d'éviter tout risque de strangulation.
- ! Lorsqu'il n'est pas utilisé, la sangle d'attache supérieure DOIT être correctement rangée. Pour vous assurer que la sangle d'attache supérieure est bien rangée, ne pas la laisser lâche pour éviter qu'elle ne s'agite lorsque le véhicule est en déplacement. 40

Détacher les pièces souples

voir images 50

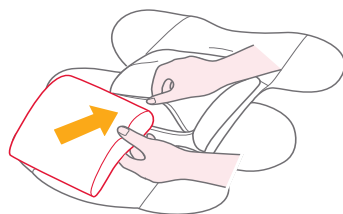
1. Appuyez sur le bouton rouge pour désengager la boucle.
 2. Pour enlever les coussinets d'épaules, ouvrez d'abord les boutons-pression des coussinets puis enlevez les sangles fixées par le velcro. 50
 3. Retirez le support pour bébé et le coussinet d'entrejambe.
 4. Détachez les fermetures velcro 45 -2 sur le support de tête des fentes dans les guides de la ceinture d'épaules du véhicule, puis retirez le housse du support de tête.
 5. Détachez les boutons-pression sur les côtés du coussin de siège. 45 -1
 6. Détachez les languettes élastiques, situés derrière le support de tête, de la coque du siège.
 7. Détachez l'élément de fixation en tissu de la partie supérieure à l'arrière de la coque du siège.
 8. Tirez la boucle par la fente du coussin de siège, puis enlevez le coussin de siège de la coque du siège.
- ! Pour assembler les pièces souples, suivez les étapes ci-dessus à l'envers.



Entretien

- ! Après avoir retiré la mousse du support pour bébé, veuillez la ranger hors de portée des enfants.
- ! Lavez les pièces souples à l'eau froide à moins de 30 C.
- ! Ne repassez pas les pièces souples.
- ! Ne nettoyez pas les pièces souples à sec ou à l'eau de javel.
- ! N'utilisez pas de détergents neutres non dilués, de l'essence ou d'autres solvants organiques pour laver le siège de bébé. Cela pourrait endommager le dispositif de retenue pour enfants.
- ! N'essorez pas les pièces souples. Des plis pourraient apparaître sur les pièces souples.
- ! Laissez les pièces souples sécher à l'ombre.
- ! Retirez le dispositif de retenue pour enfants du siège du véhicule si vous n'allez pas l'utiliser pendant une longue période. Placez le dispositif de retenue pour enfants à l'ombre, hors de la portée des enfants.
- ! Retirez l'insert en mousse du support pour bébé avant de le laver à la machine.

Veuillez consulter l'illustration pour ré-insérer l'insert en mousse dans le support pour bébé.



Remarque

Sie haben ein hochwertiges, vollständig zertifiziertes Kinderrückhaltesystem gekauft. Dieses Produkt eignet sich für Kinder mit einem Gewicht UNTER 25 kg (bis ca. 7 Jahre).

Lesen Sie diese Anleitung aufmerksam und befolgen Sie die Installationsschritte, da Sie Ihr Kind NUR so vor ernsthaften oder sogar tödlichen Verletzungen im Falle eines Unfalls schützen und optimalen Komfort während der Benutzung bieten können.

Heben Sie diese Anleitung zur künftigen Bezugnahme auf.

Bitte prüfen

Stellen Sie sicher, dass Ihr Fahrzeug mit einem 3-Punkt-Sicherheitsgurt ausgestattet ist. Sitzgurte können je nach Hersteller, Baujahr und Fahrzeugtyp Unterschiede in Bezug auf Design und Länge aufweisen. Dieses Kinderrückhaltesystem ist nur für den Einsatz in gelisteten Fahrzeugen mit 3-Punkt-Sicherheitsgurt und Übereinstimmung mit UN/ECE-Regelung 16 oder anderen vergleichbaren Standards geeignet. Dieses Kinderrückhaltesystem ist gemäß UN/ECE-Regelung 44, Änderungsreihe 04, zugelassen.

Garantieinformationen finden Sie auf unserer Website unter joiebaby.com

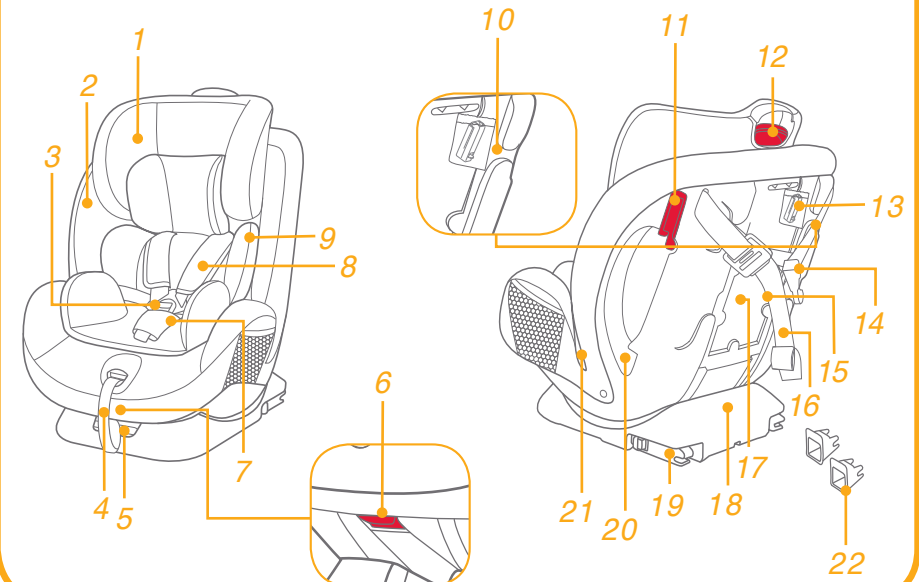
! Bitte bewahren Sie diese Anleitung zur künftigen Bezugnahme im Aufbewahrungsfach der rückseitigen Abdeckung auf.

Teileliste

Stellen Sie vor der Montage sicher, dass alle Teile vorhanden sind. Falls etwas fehlen sollte, wenden Sie sich an Ihren Händler vor Ort. Für die Montage werden keine Werkzeuge benötigt.

- | | | | |
|----|---|----|-------------------------------------|
| 1 | Kopfstütze | 12 | Kopfstütze Einstellhebel |
| 2 | Sitzauflage | 13 | Befestigungsklemme |
| 3 | Schnalle | 14 | Haltegurteinsteller |
| 4 | Gurtbandeinsteller | 15 | Haltegurthaken |
| 5 | Freigabeknopf der ISOFIX-Befestigungen | 16 | Oberer Haltegurt |
| 6 | Neigungseinstellgriff | 17 | Aufbewahrungsfach für die Anleitung |
| 7 | Schrittpolster | 18 | Basis |
| 8 | Schultergurt | 19 | Anschluss für ISOFIX-Befestigungen |
| 9 | Kleinkindeinsatz | 20 | Hinterer Schlitz für Sitzgurt |
| 10 | Nach hinten gerichteter Schlitz für Fahrzeug-Schultergurt | 21 | Beckengurtführung |
| 11 | Verriegelungsvorrichtung | 22 | Führungen für ISOFIX-Befestigungen |

Textilteile, einschließlich Sitzauflage, Schrittpolster, Schulterpolster, Kopfstütze und Kleinkindeinsatz. Stellen Sie sicher, dass kein Teil fehlt. Bitte wenden Sie sich an den Händler, falls etwas fehlen sollte.



WARNHINWEISE

- ! KEIN Kinderrückhaltesystem kann vollständigen Schutz vor Verletzungen bei einem Unfall garantieren. Dennoch reduziert der ordnungsgemäße Einsatz dieses Kinderrückhaltesystems die Gefahr ernsthafter oder tödlicher Verletzungen Ihres Kindes.
- ! Dieses Kinderrückhaltesystem ist NUR für Kinder mit einem Gewicht unter 25 kg vorgesehen (bis ca. 7 Jahre).
- ! Verwenden Sie das Produkt FRÜHESTENS dann in Fahrtrichtung, wenn das Gewicht des Kindes 9 kg übersteigt.
- ! Die Gurte, die das Rückhaltesystem im Fahrzeug sichern, müssen richtig befestigt sind; die Gurte, die das Kind halten, müssen an den Körper des Kindes angepasst und dürfen nicht verdreht sein.
- ! Verwenden oder installieren Sie dieses Kinderrückhaltesystem NICHT, bevor Sie die Anweisungen in dieser Anleitung und dem Fahrzeughandbuch gelesen und verstanden haben.
- ! Beachten Sie das Risiko von nicht von der Typgenehmigungsbehörde zugelassenen Änderungen oder Ergänzungen am Produkt; beachten Sie das Risiko bei Nichtbefolgung der vom Hersteller des Kinderrückhaltesystems bereitgestellten Installationsanweisungen.
- ! Führen Sie KEINE Modifikationen an diesem Kinderrückhaltesystem durch; verwenden Sie es NICHT in Verbindung mit Teilen von anderen Herstellern.
- ! Verwenden Sie dieses Kinderrückhaltesystem NICHT, falls es beschädigt ist oder Teile fehlen.
- ! Ziehen Sie Ihrem Kind beim Einsatz dieses Kinderrückhaltesystems im Baby- oder Kleinkindmodus KEINE ungeeignete Kleidung an; andernfalls kann Ihr Kind nicht ordnungsgemäß und zuverlässig über den Schultergurt und zwischen den Oberschenkeln gesichert werden.
- ! Wenn Sie dieses Kinderrückhaltesystem im Baby- oder Kleinkindmodus benutzen, muss der Sicherheitsgurt für Ihr Kind sachgemäß angelegt werden, und es muss gewährleistet sein, dass der Schrittgurt so tief wie möglich angelegt ist, damit das Becken sicher gehalten wird.
- ! Transportieren Sie dieses Kinderrückhaltesystem nicht unangegurtet bzw. ungesichert in Ihrem Fahrzeug, da ungesicherte Gegenstände bei scharfen Kurven, plötzlichem Abbremsen oder einer Kollision umhergeschleudert werden und Insassen verletzen könnten. Entfernen Sie es bei Nichtbenutzung.
- ! Lassen Sie das Kind nicht unbeaufsichtigt im Kinderrückhaltesystem.
- ! Platzieren Sie das Kinderrückhaltesystem nicht in einer Sitzposition, in der ein aktiver Front-Airbag installiert ist, wenn Ihr Kind entgegen der Fahrtrichtung sitzt.

WARNHINWEISE

- ! Verwenden Sie NIEMALS ein gebrauchtes Kinderrückhaltesystem oder ein Kinderrückhaltesystem, dessen Vergangenheit Sie nicht kennen; möglicherweise weist es strukturelle Schäden auf, die Ihr Kind gefährden können.
- ! Bitte platzieren Sie dieses Kinderrückhaltesystem nicht im direkten Sonnenlicht; andernfalls kann es zu heiß für die Haut Ihres Kindes werden.
- ! NIEMALS Seile oder andere Ersatzteile anstelle der Sicherheitsgurte verwenden, da dies Verletzungen durch Einschnürung verursachen kann.
- ! Verwenden Sie dieses Kinderrückhaltesystem NICHT als regulären Stuhl, da er dazu neigt, umzukippen, was Verletzungen des Kindes verursachen kann.
- ! Das Kinderrückhaltesystem darf nicht ohne die Textilteile verwendet werden.
- ! Die Textilteile sollten ausschließlich durch die vom Hersteller empfohlenen Teile ersetzt werden, da sie das Verhalten des Kinderrückhaltesystems wesentlich beeinflussen.
- ! Geben Sie NICHTS außer den empfohlenen Polstern in dieses Kinderrückhaltesystem.
- ! Tragen Sie dieses Kinderrückhaltesystem NICHT, wenn sich ein Kind darin befindet.
- ! Gepäck und andere Gegenstände, die bei einem Unfall Verletzungen verursachen könnten, müssen angemessen gesichert sein.
- ! Achten Sie darauf, dass Gurte und Schnallen des Kinderrückhaltesystems nicht im Fahrzeugsitz oder in der Tür eingeklemmt werden.
- ! Das Produkt sollte ersetzt werden, wenn es übermäßiger Belastung in einem Unfall ausgesetzt war.
- ! Entfernen Sie dieses Kinderrückhaltesystem vom Fahrzeugsitz, wenn es längere Zeit nicht verwendet wird.
- ! Entfernen Sie zur Vermeidung von Erstickungsgefahr den Kunststoffbeutel und sämtliche Verpackungsmaterialien vor dem ersten Einsatz. Halten Sie Kunststoffbeutel und Verpackungsmaterialien von Säuglingen und Kindern fern.
- ! Wenden Sie sich bei Anliegen bezüglich Wartung, Reparatur und Austausch an Ihren Händler.
- ! Verwenden Sie NUR die in der Anleitung beschriebenen und am Rückhaltesystem für Kleinkinder markierten belastbaren Kontaktpunkte.
- ! Prüfen Sie die Führungen für ISOFIX-Befestigungen regelmäßig auf Schmutz und reinigen Sie sie bei Bedarf. Die Zuverlässigkeit des Systems kann durch Eindringen von Schmutz, Staub, Lebensmittelresten usw. beeinträchtigt werden.

WARNHINWEISE

! Installieren Sie dieses Kinderrückhaltesystem nicht unter folgenden Umständen:

1. Fahrzeugsitze mit 2-Punkt-Sicherheitsgurten.
2. In Bezug auf die Fahrtrichtung des Fahrzeugs zur Seite oder nach hinten gewandte Sitze.
3. Fahrzeugsitze, die während der Installation instabil sind.

Notfall

Bei einem Notfall oder Unfall muss Ihr Kind unverzüglich erste Hilfe bekommen und medizinisch versorgt werden.

Produktdaten

Bei Installation mit 3-Punkt-Gurt oder mit ISOFIX (ISOFIX-Befestigungen und oberer Haltegurt)

1. Dieses Produkt ist ein „universelles“ Kinderückhaltesystem. Sie ist gemäß UN/ECE-Regelung 44, Änderungsserie 04, für die allgemeine Verwendung in Fahrzeugen zugelassen und passt zu den meisten, jedoch nicht allen Fahrzeugsitzen.
2. Wahrscheinlich passt sie in Ihr Fahrzeug, sofern das Fahrzeug laut Herstellerangabe im Fahrzeughandbuch für ein „universelles“ Kinderrückhaltesystem dieser Altersgruppe geeignet ist.
3. Dieses Kinderrückhaltesystem wurde unter strengeren Bedingungen als „universell“ eingestuft als frühere Modelle ohne diesen Hinweis, für die noch weniger strikte Bedingungen galten.
4. Bitte wenden Sie sich im Zweifelsfall an den Hersteller oder Händler des Kinderrückhaltesystems.

Bei Installation mit ISOFIX (ISOFIX-Befestigungen und oberer Haltegurt)

1. Dies ist ein ISOFIX-Kinderrückhaltesystem. Es ist gemäß Regelung Nr. 44/04 in der aktuellen Fassung zur allgemeinen Nutzung in Fahrzeugen mit ISOFIX-Verankerungssystemen zugelassen. Es eignet sich zur Befestigung in Sitzpositionen in den meisten Fahrzeugen.
2. Es passt in Fahrzeuge mit Positionen gemäß ISOFIX-Vorgaben (siehe Fahrzeughandbuch); je nach Kategorie des Kinderrückhaltesystems und der Befestigung.
3. Sitzpositionen in anderen Fahrzeugen können ebenfalls zur Aufnahme dieses Kinderrückhaltesystems geeignet sein. Bitte wenden Sie sich im Zweifelsfall an den Hersteller des Kinderrückhaltesystems bzw. an den Fahrzeughersteller.
4. Die ISOFIX-Größenklasse, für die dieses Produkt vorgesehen ist, ist B1.

Installation mit ISOFIX-Befestigungen und 3-Punkt-Gurt

1. Das Kinderrückhaltesystem ist für den „semiuniversellen“ Einsatz klassifiziert.
2. Sitzpositionen in anderen Fahrzeugen können ebenfalls zur Aufnahme dieses Kinderrückhaltesystems geeignet sein. Bitte wenden Sie sich im Zweifelsfall an den Hersteller des Kinderrückhaltesystems bzw. an den Fahrzeughersteller.

Produkt	Kinderrückhaltesystem
Modell	C1719
Geeignet für	Kinder mit einem Gewicht von 0 bis 25 kg (ca. 0 bis 7 Jahre alt)
Gewichtsgruppe	0+/1/2
Materialien	Kunststoff, Metall, Stoff
Patent-Nr.	Patente angemeldet

Auswahl des Installationsmodus

Gewicht des Kindes	Installationsmodus	Abbildung zur Installation	Referenzalter	Sitzposition	Anweisungen zum Kleinkindeinsatz
<18kg	Rückwärts gerichteter Modus		<4 Jahre	Position 5-6 ▲ 5 ▲ 6	Der Kleinkindeinsatz muss bei einem Alter von 0 - 9 Monaten eingesetzt werden, damit das Kind sicher gehalten werden kann
9 - 18kg	Kleinkindmodus		1 bis 4 Jahre	Position 1-4 ▲ 1 ▲ 2 ▲ 3 ▲ 4	Verwenden Sie den Kleinkindeinsatz nicht bei Installation des Kinderrückhaltesystems im Kleinkindmodus.
15 - 25kg	Juniormodus		3 bis 7 Jahre	Position 1-4 ▲ 1 ▲ 2 ▲ 3 ▲ 4	Entfernen Sie den Schrittblock und den Säugling, und legen Sie das Gurtzeug an den richtigen Aufbewahrungsorten ein

Wichtig

1. Verwenden Sie das Produkt FRÜHESTENS dann in Fahrtrichtung, wenn das Gewicht des Kindes 9 kg übersteigt.
2. Wenn das Kind für Kleinkind- und Babymodus geeignet ist, sollten Sie das Kinderrückhaltesystem im Babymodus installieren, da dieser sicherer ist.

Neigungsanpassung

siehe Abbildung 3 - 4

Drücken Sie den Neigungseinstellgriff zusammen und passen Sie das Kinderrückhaltesystem auf eine geeignete Position an. ③

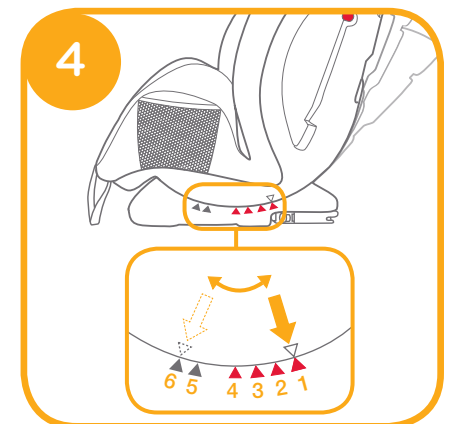
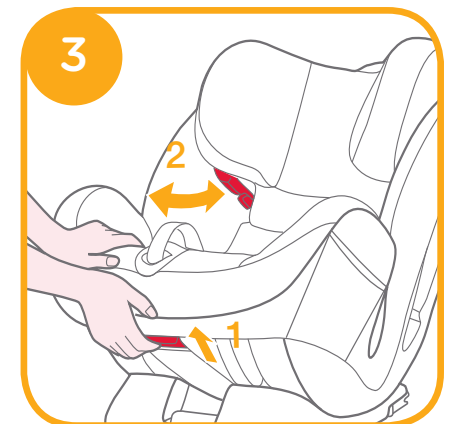
Neigungswinkel, siehe ④

Es gibt zwei Neigungswinkel 5-6 beim Babymodus, die als blaue Dreiecke gekennzeichnet sind.

Es gibt vier Neigungswinkel 1-4 beim Kleinkind- und Juniormodus, die als rote Dreiecke gekennzeichnet sind.

Winkelanzeige: An oberen und unteren Dreiecken ausgerichtet.

! Achten Sie darauf, den Fahrzeuggurt bei Anpassung in geneigter Position erneut festzuziehen und umgekehrt, wenn der Sitz zuvor bereits richtig angeschnallt war.



Höhe

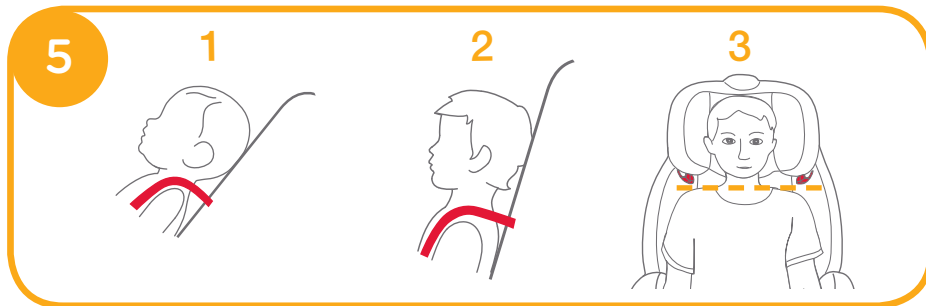
von Kopfstütze und Schultergurten anpassen

siehe Abbildung 5 - 6

Stellen Sie Kopfstütze und Schultergurte je nach Körpergröße des Kindes in der richtigen Höhe ein.

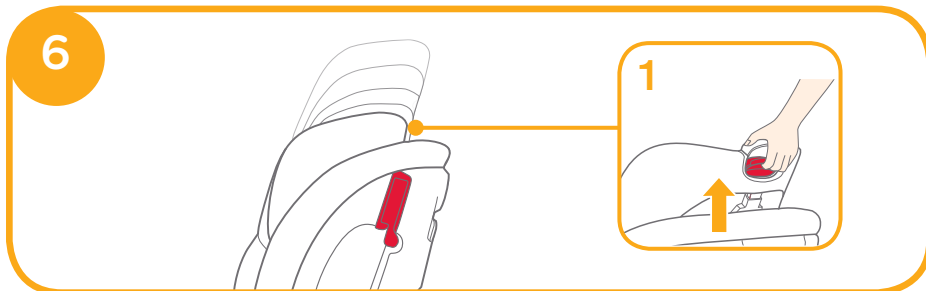
- ! Bei Verwendung im Babymodus muss der Schultergurt auf Höhe der Schultern des Kindes eingestellt werden 5 -1
- ! Bei Verwendung im Kleinkindmodus muss der Schultergurt auf Höhe der Schultern des Kindes eingestellt werden 5 -2
- ! Bei Verwendung im Juniormodus müssen die Schultergurtführungen auf Höhe der Schultern des Kindes eingestellt werden 5 -3

Falls sich die Schultergurte nicht auf der richtigen Höhe befinden, könnte das Kind bei einem Unfall aus dem Kinderrückhaltesystem herausgeschleudert werden.



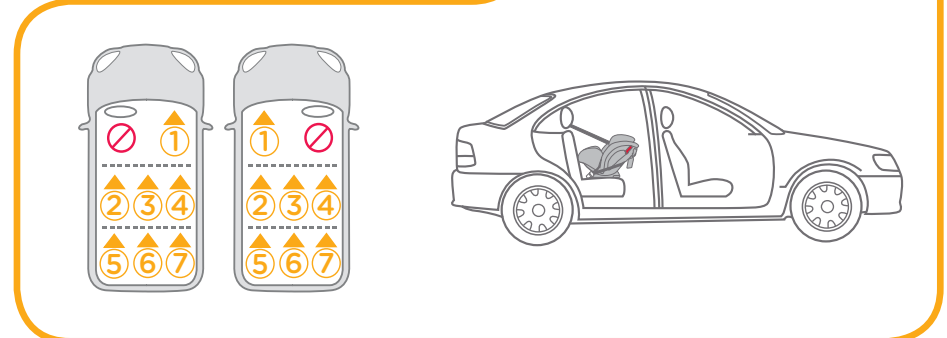
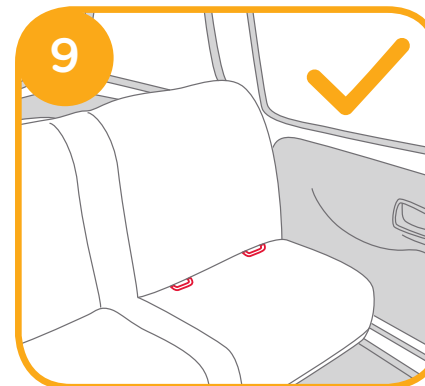
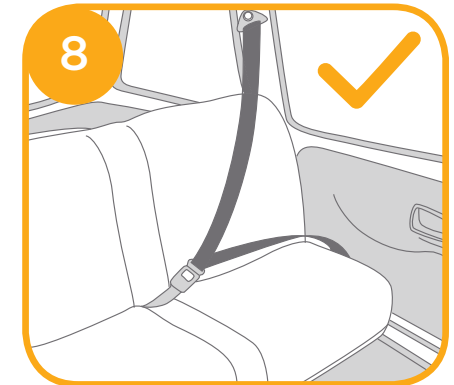
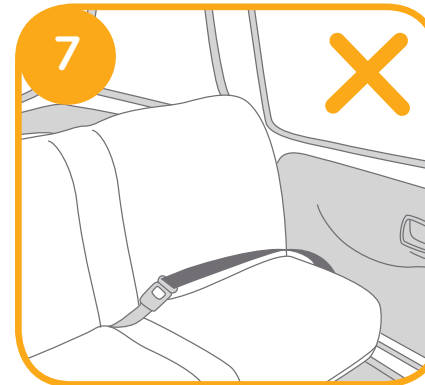
Drücken Sie den Kopfstützeinstellhebel 6 -1 und schieben Sie die Kopfstütze dann herauf oder herunter, bis sie in einer der 5 Positionen einrastet.

Positionen der Kopfstütze, siehe 6



Bei der Installation zu beachten

siehe Abbildung 7 - 10



Rückwärts gerichteter Modus

(Entgegen der Fahrtrichtung/bei Kindern unter 18 kg /Neugeborene - 4 Jahre alt)

siehe Abbildung 11 - 23

! Installieren Sie das Kinderrückhaltesystem auf einem hinteren Fahrzeugsitz; setzen Sie dann das Kind in das Kinderrückhaltesystem.

i. Installation beim Rückwärts gerichteter Modus

! Passen Sie das Kinderrückhaltesystem auf einen geeigneten Winkel an (2 Positionen beim Babymodus). Winkelanzeige: An oberem Dreieck und blauem Dreieck ausgerichtet.

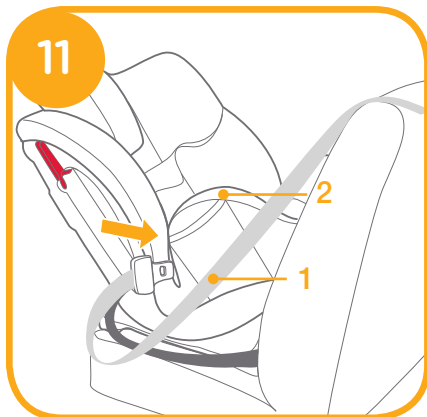
! Stellen Sie sicher, dass der Schultergurt auf eine geeignete Höhe eingestellt ist, bevor Sie dieses Kinderrückhaltesystem installieren.

! Stellen Sie bei Installation und Anpassung der Schultergurte sicher, dass Schulter- und Beckengurt nicht verdreht sind und die Sicherheitsgurte nicht in ihrer Funktion beeinträchtigen.

1. Entfernen Sie den Kleinkindeinsatz.

! Der Fahrzeugbeckengurt muss unter dem Kleinkindeinsatz hindurchgeführt werden.

2. Passieren Sie den Fahrzeugbeckengurt 11 -1 über den Führungen des Beckengurtes und stecken Sie die Steckzunge des Fahrzeuggurtschlusses in den Verschluss. 12



3. Installieren Sie den Fahrzeugschultergurt in den beiden nach hinten gerichteten Schlitzen an der Rückseite der Sitzschale. 13

! Der Fahrzeugschultergurt muss durch die nach hinten gerichteten Schlitze geführt werden.

! Die Verschlussklemme wird nur verwendet, wenn das Kinderrückhaltesystem entgegen der Fahrtrichtung eingesetzt wird.

! Die Verschlussklemme macht das Kinderrückhaltesystem sicherer.

! Verstauen Sie Verschlussklemme und Schnur im Beutel, wenn diese nicht verwendet werden.

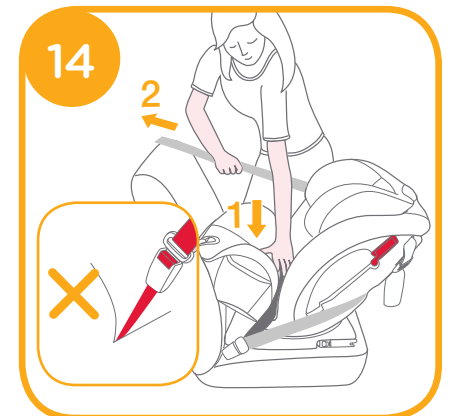
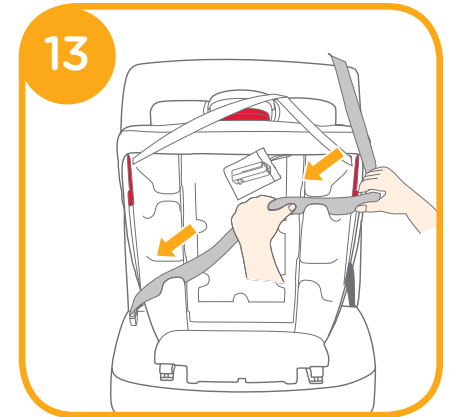
4. Drücken Sie das Kinderrückhaltesystem, während Sie zum Anschnallen des Kinderrückhaltesystems an den Gurten ziehen. 14

! Das Kinderrückhaltesystem kann nicht verwendet werden, wenn der Verschluss (Gurtschloss) des Fahrzeugsicherheitsgurtes zu lang ist, um das Kinderrückhaltesystem fest zu verankern.

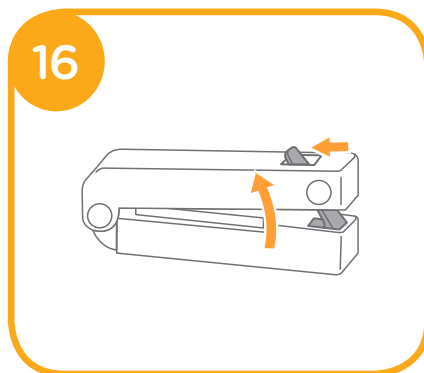
! Prüfen, indem Sie das Kinderrückhaltesystem vor und zurück bewegen.

5. Nehmen Sie die Verschlussklemme aus dem Beutel. 15

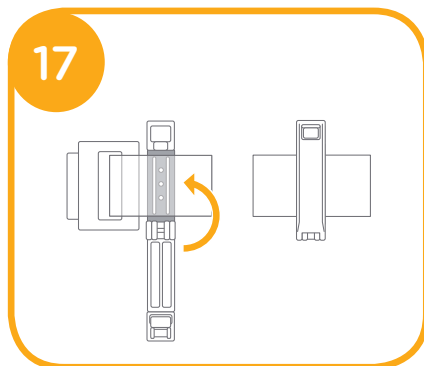
! Bei Nichtbenutzung MUSS der obere Haltegurt angemessen aufbewahrt werden. Verstauen Sie den oberen Haltegurt ordnungsgemäß, indem Sie darauf achten, dass der Gurt nicht durchhängt; andernfalls könnte er während der Fahrt umher geschleudert werden. 40



6. Drücken Sie den Knopf zum Öffnen der Verschlussklemme. **16**

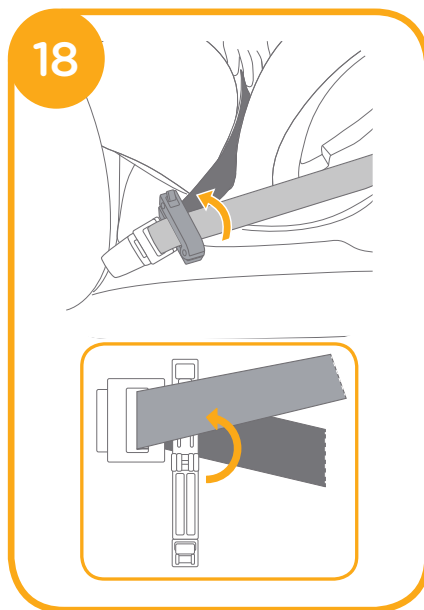


7. Führen Sie den diagonalen Gurt durch die Verschlussklemme und befestigen Sie die Verschlussklemme. **17**



8. Befestigen Sie die Verschlussklemme wieder. **18**

! Bitte prüfen Sie, ob das Kinderrückhaltesystem sicher installiert ist, indem Sie es am Pfad des Fahrzeuggurts vor und zurück bewegen. Weitere Informationen entnehmen Sie bitte dem Fahrzeughandbuch. (Kinderrückhaltesystem lässt sich um nicht mehr als 25 mm bewegen.)

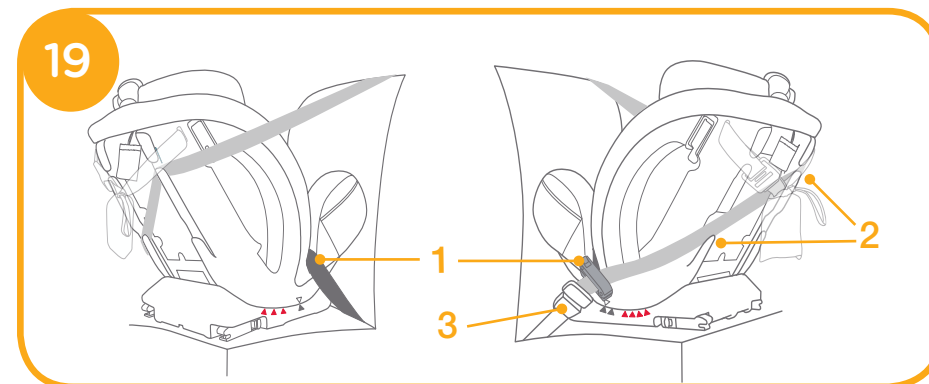


Richtig befestigter Fahrzeuggurt, siehe **19**

! Der Beckengurt passiert die Führungen des Beckengurtes, siehe **19-1**

! Der Schultergurt muss den nach hinten gerichteten Schlitz für den Fahrzeugschultergurt passieren, siehe **19-2**

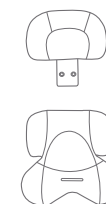
! Die Steckzunge des Fahrzeuggurtschlusses ist sicher arretiert, siehe **19-3**



ii. Kind im Kinderrückhaltesystem sichern Verwendung des Kleinkindeinsatzes



Zudem sollten Sie den vollständigen Babyeinsatz verwenden, während das Kind 0 bis 6 Monate alt ist bzw. bis es aus dem Einsatz herausgewachsen ist. Der Babyeinsatz verbessert den Seitenaufprallschutz.

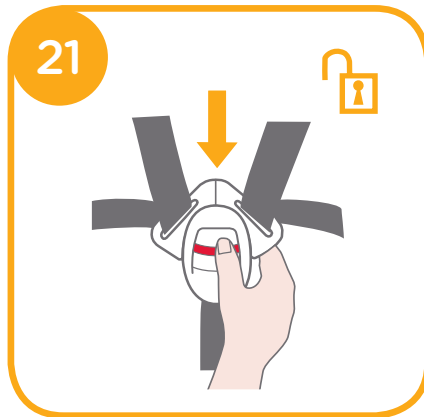


Entfernen Sie den Kopfteil des Einsatzes, indem Sie die Druckknöpfe an der Kopfstütze öffnen.

1. Drücken Sie den Gurteinstellknopf, während Sie die beiden Schultergurte des Kinderrückhaltesystems vollständig herausziehen. **20**

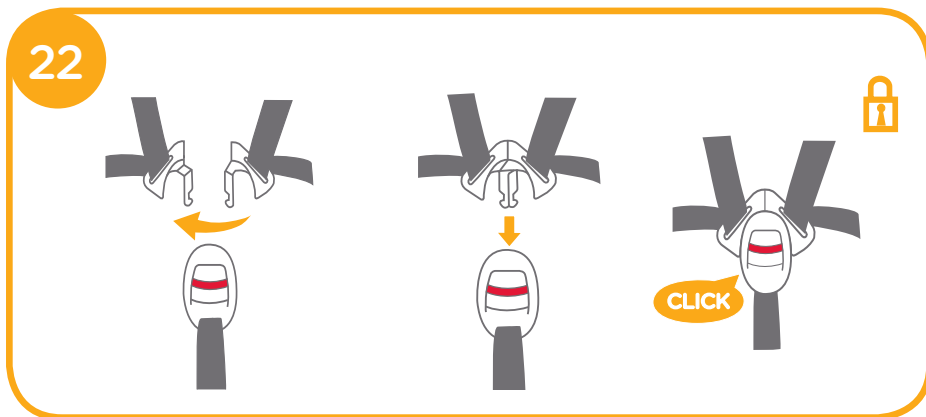


2. Drücken Sie den roten Knopf zum Lösen der Schnalle. **21**



3. Platzieren Sie den Kleinkindeinsatz im Kinderrückhaltesystem, setzen Sie dann das Kind in das Kinderrückhaltesystem und führen Sie beide Arme durch die Gurte.

4. Schließen Sie die Schnalle. **22**



5. Ziehen Sie den Einstellgurt nach unten und passen Sie ihn auf eine geeignete Länge an, damit Ihr Kind sicher gehalten wird. **23**



- ! Prüfen Sie nach Hineinsetzen des Kindes, ob die Schultergurte auf eine geeignete Höhe eingestellt sind.
- ! Stellen Sie sicher, dass der Abstand zwischen Kind und Schultergurt in etwa der Dicke einer Hand entspricht.

Kleinkindmodus

(in Fahrtrichtung/für Kinder mit einem Gewicht zwischen 9 und 18 kg / 1 - 4 Jahre alt)

siehe Abbildung **24** - **43**

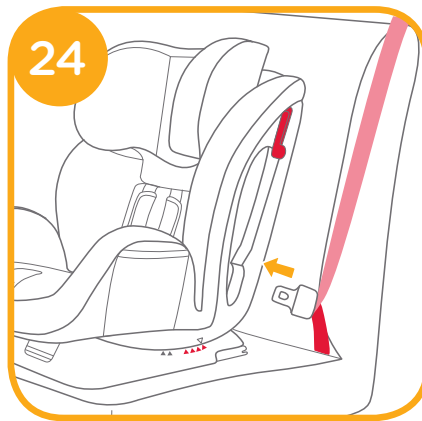
- ! Installieren Sie das Kinderrückhaltesystem auf einem Fahrzeugsitz; setzen Sie dann das Kind in das Kinderrückhaltesystem.

i. Installation beim Kleinkindmodus

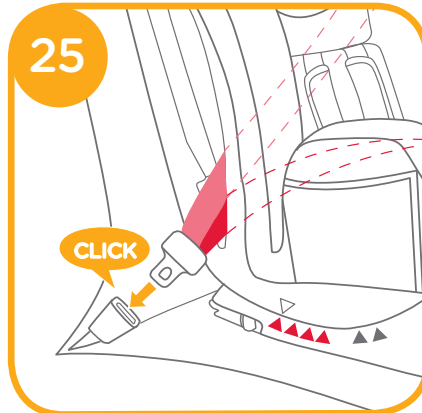
- ! Passen Sie das Kinderrückhaltesystem auf einen geeigneten Winkel an (4 Positionen beim Kleinkindmodus). Winkelanzeige: An oberem Dreieck und rotem Dreieck ausgerichtet.
- ! Stellen Sie die Schultergurte auf eine geeignete Höhe ein, bevor Sie das Kinderrückhaltesystem installieren.
- ! Stellen Sie bei Installation und Anpassung der Schultergurte sicher, dass Schulter- und Beckengurt nicht verdreht sind und die Sicherheitsgurte nicht verrutschen.

a. Installation mit 3-Punkt-Gurt

1. Führen Sie den Sicherheitsgurt durch die beiden hinteren Schlitze an der Rückseite des Kinderrückhaltesystems. **24**



2. Stecken Sie die Schnalle des Sicherheitsgurts in das Gurtschloss. **25**



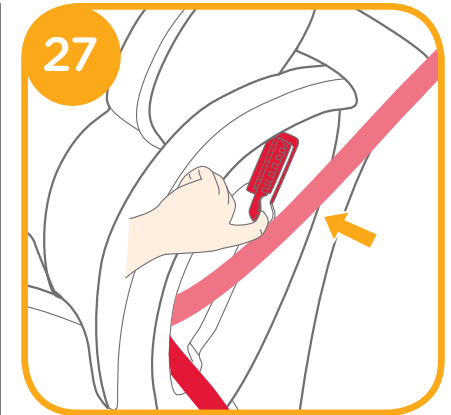
3. Drücken Sie das Kinderrückhaltesystem, während Sie zum Anschnallen des Kinderrückhaltesystems an den Gurten ziehen. **26**



! Das Kinderrückhaltesystem kann nicht verwendet werden, wenn der Verschluss (Gurtschloss) des Fahrzeugsicherheitsgurtes zu lang ist, um das Kinderrückhaltesystem fest zu verankern. **26 -1**

4. Öffnen Sie die Arretiereinrichtung und stecken Sie den Sicherheitsgurt hindurch. **27**

! Bitte prüfen Sie, ob das Kinderrückhaltesystem sicher installiert ist, indem Sie es am Pfad des Fahrzeuggurts vor und zurück bewegen. (Kinderrückhaltesystem lässt sich um nicht mehr als 25 mm bewegen.)

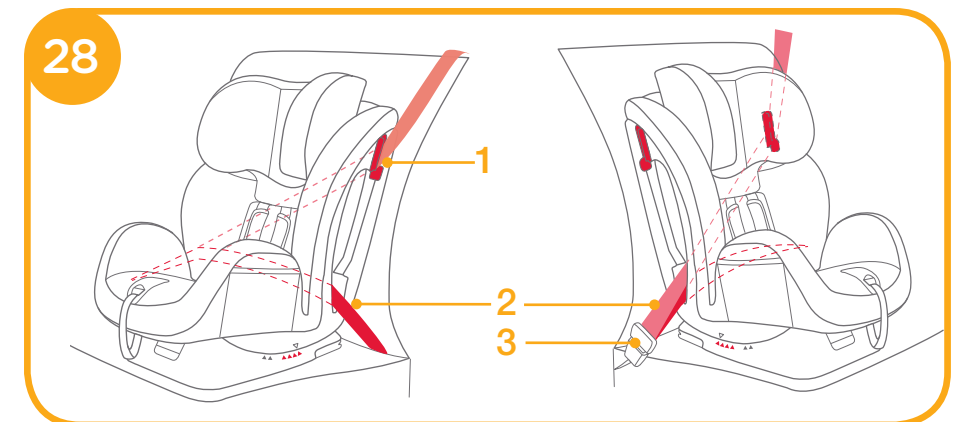


Befestigter Sicherheitsgurt siehe **28**

! Der Schultergurt passiert die Arretiereinrichtung, siehe **28 -1**

! Der Beckengurt passiert die hinteren Schlitze des Sitzgurtes, siehe **28 -2**

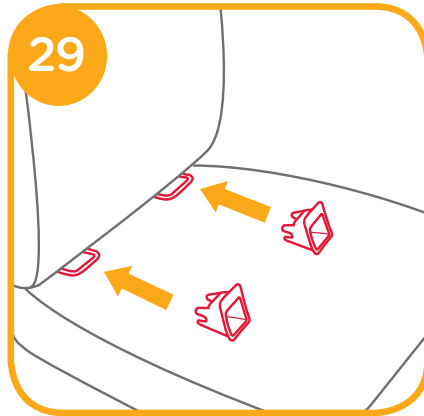
! Die Steckzunge des Fahrzeuggurtschlusses ist sicher arretiert, siehe **28 -3**



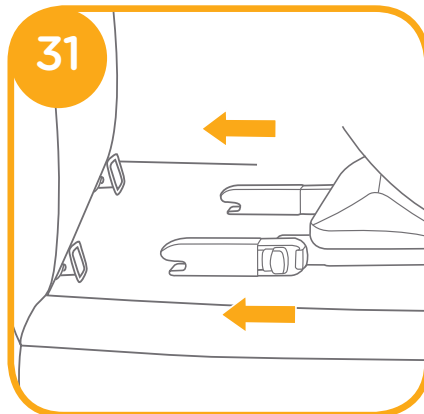
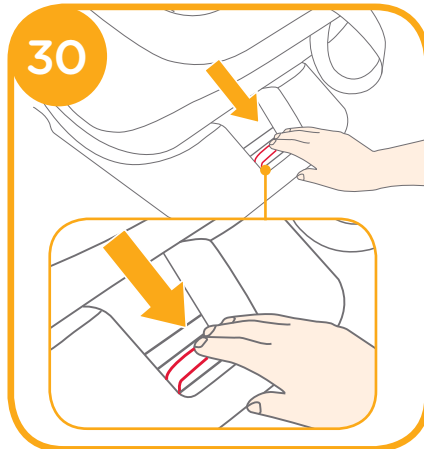
! Bei Nichtbenutzung MUSS der obere Haltegurt angemessen aufbewahrt werden. Verstauen Sie den oberen Haltegurt ordnungsgemäß, indem Sie darauf achten, dass der Gurt nicht durchhängt; andernfalls könnte er während der Fahrt umher geschleudert werden. **40**

**b. Bei Installation mit ISOFIX
(ISOFIX-Befestigungen und oberer Haltegurt)**

1. Bringen Sie die Führungen der ISOFIX-Befestigungen an den ISOFIX-Verankerungspunkten an. Die Führungen der ISOFIX-Befestigungen können die Oberfläche des Fahrzeugsitzes vor Verschleiß schützen. Sie sind auch eine Führung für die ISOFIX-Befestigungen. **29**



2. Verlängern Sie die ISOFIX-Befestigungen durch Aktivierung des Freigabeknopfs **30**, während Sie an der Befestigung ziehen. **31**



! Stellen Sie sicher, dass beide ISOFIX-Befestigungen sicher an ihren ISOFIX-Verankerungspunkten befestigt sind. Die Anzeigen an beiden ISOFIX-Befestigungen müssen vollständig grün sein. **32**

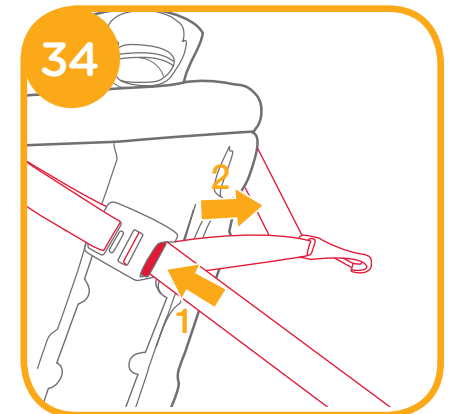
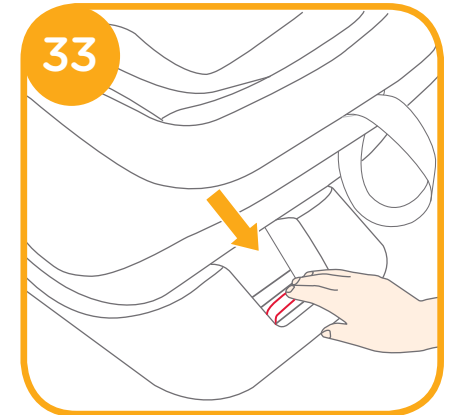
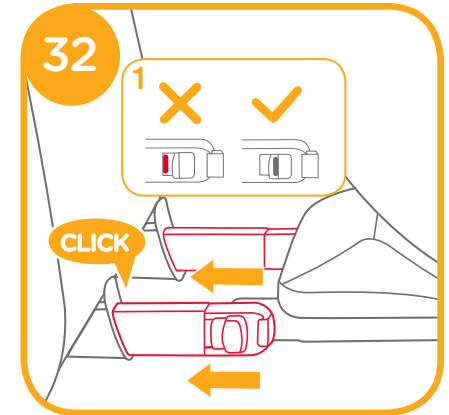
! Die ISOFIX-Befestigungen müssen an den ISOFIX-Verankerungspunkten angebracht und arretiert werden.

! Stellen Sie sicher, dass das Kinderrückhaltesystem richtig installiert ist, indem Sie an beiden ISOFIX-Befestigungen ziehen.

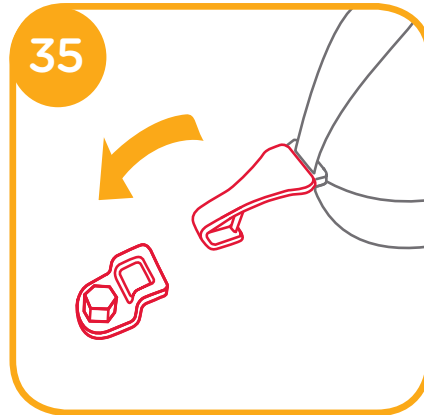
! Wählen Sie die gewünschte Neigungsposition, bevor Sie das Produkt an den Fahrzeugsitz schieben. Sobald der obere Haltegurt angebracht und gespannt ist, kann der Neigungswinkel nicht mehr ohne Anpassung des oberen Haltegurtes geändert werden.

3. Drücken Sie den Freigabeknopf der ISOFIX-Befestigungen und drücken Sie das Kinderrückhaltesystem gegen den Fahrzeugsitz, bis es arretiert ist. **33**

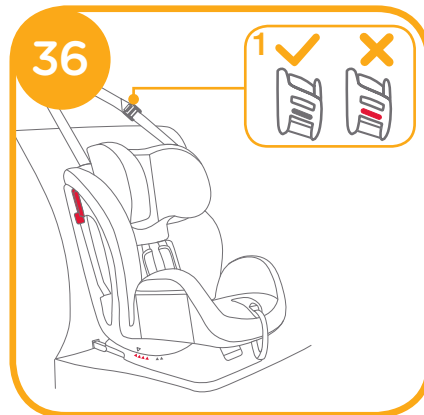
4. Verlängern Sie den oberen Haltegurt, indem Sie den Knopf am Haltegurteinsteller drücken und am Gurt ziehen. **34**



5. Verbinden Sie den Haltegurthaken sicher mit der Verankerung. **35**
 ! Verwenden Sie den oberen Haltegurt im Kleinkindmodus, wenn das Fahrzeug mit einer Verankerung für den Haltegurt ausgestattet ist und die Fahrzeuganforderungen erfüllt werden (siehe Anleitung des Fahrzeugherstellers).



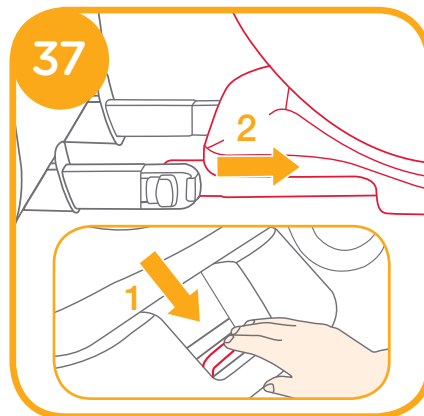
6. Richtig montiertes ISOFIX (ISOFIX-Befestigungen und oberer Haltegurt), siehe **36**
 ! Stellen Sie sicher, dass der Haltegurthaken sicher an der Verankerung befestigt ist. Die Anzeigen am Haltegurteinsteller sollten vollständig grün sein. **36-1**



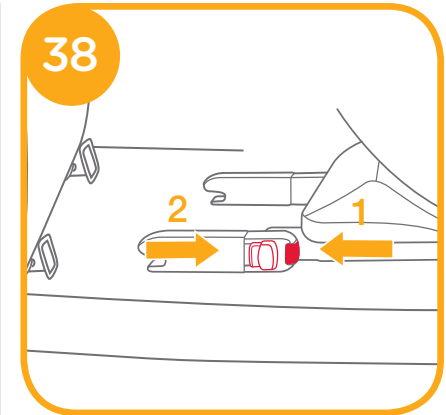
! Wenn der Neigungswinkel angepasst wird, prüfen Sie die Spannung am oberen Haltegurt, oder lockern Sie ihn zur Anpassung des Winkels und ziehen Sie ihn erneut fest.

Basis ausbauen

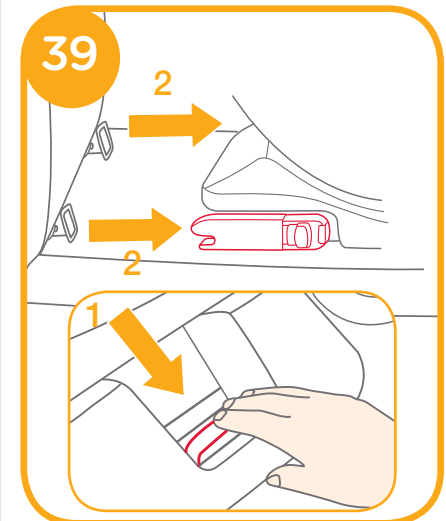
1. Entfernen Sie sie aus dem Fahrzeug, indem Sie den Freigabeknopf der ISOFIX-Befestigungen drücken **37-1** und die Basis nach hinten vom Sitz abziehen. **37-2**



2. Drücken und lösen Sie dann die Anschlüsse vom ISOFIX des Fahrzeugs. **38**

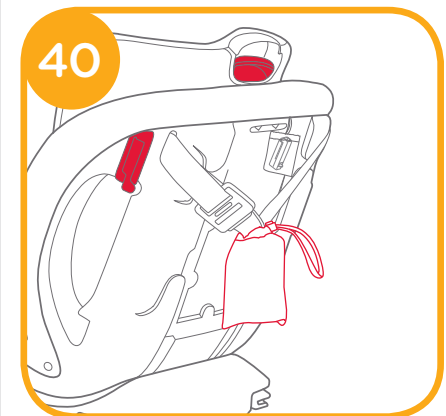


! Die ISOFIX-Befestigungen werden vollständig in die Basis zurückgezogen. **39**



! Bei Nichtbenutzung MUSS der obere Haltegurt angemessen aufbewahrt werden. Verstauen Sie den oberen Haltegurt ordnungsgemäß, indem Sie darauf achten, dass der Gurt nicht durchhängt; andernfalls könnte er während der Fahrt umher geschleudert werden. **40**

! Bei Nichtbenutzung der Tasche bewahren Sie diese bitte angemessen auf.



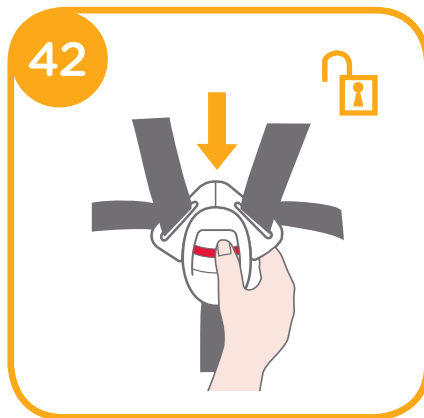
ii. Kind im Kinderrückhaltesystem sichern

! Verwenden Sie den Kleinkindeinsatz nicht bei Installation des Kinderrückhaltesystems im Kleinkindmodus.

1. Drücken Sie den Gurteinstellknopf, während Sie die beiden Schultergurte des Kinderrückhaltesystems vollständig herausziehen. 41



2. Drücken Sie den roten Knopf zum Lösen der Schnalle. 42

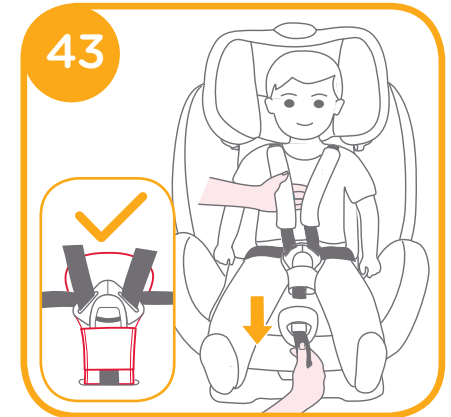


3. Setzen Sie das Kind in das Kinderrückhaltesystem und sichern Sie es.

4. Ziehen Sie den Einstellgurt nach unten und passen Sie ihn auf eine geeignete Länge an, damit Ihr Kind sicher gehalten wird. 43

! Prüfen Sie nach Hineinsetzen des Kindes, ob die Schultergurte auf eine geeignete Höhe eingestellt sind.

! Stellen Sie sicher, dass der Abstand zwischen Kind und Schultergurt in etwa der Dicke einer Hand entspricht.



Juniormodus

Fahrtrichtung / bei Kindern mit einem Gewicht zwischen 15 und 25 kg / 3 bis 7 Jahre alt)

siehe Abbildung 44 - 49

i. Installation beim Juniormodus

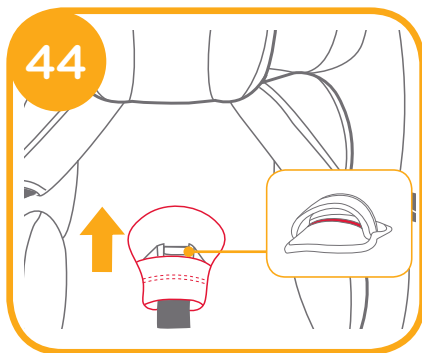
! Bitte verwenden Sie den Fahrzeuggurt nur bei Installation des Kinderrückhaltesystems im Juniormodus. Verwenden Sie weder Kleinkindeinsatz noch 5-Punkt-Gurt. Bewahren Sie Schultergurte, Schnalle und Steckzungen in den entsprechenden Aufbewahrungsfächern auf.

! Passen Sie die Schultergurte auf eine geeignete Länge an, bevor Sie Schultergurte und Verschluss in ihren Aufbewahrungsfächern verstauen.

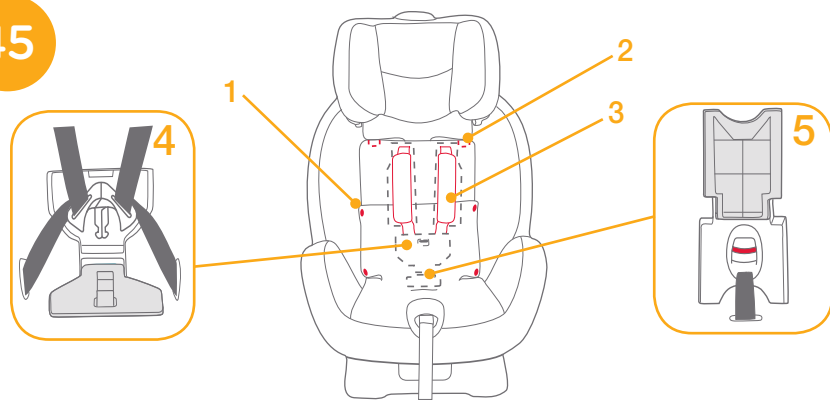
! Passen Sie das Kinderrückhaltesystem auf einen geeigneten Winkel an (4 Positionen beim Juniormodus). Winkelanzeige: An oberem Dreieck und rotem Dreieck ausgerichtet.

! Stellen Sie bei Installation und Anpassung der Schultergurte sicher, dass Schulter- und Beckengurt nicht verdreht sind und die Sicherheitsgurte nicht verrutschen.

1. Drücken Sie den roten Knopf zum Lösen der Schnalle. 42
 2. Entfernen Sie das Schrittpolster, indem Sie zunächst das Gummiband an der Innenseite des Schrittpolsters ausfindig machen. Ziehen Sie Gummiband und Schrittpolster zum Entfernen über die Schnalle. 44
 3. Entfernen Sie den Kleinkindeinsatz.
- ! Verwenden Sie den Kleinkindeinsatz nicht bei Installation des Kinderrückhaltesystems im Juniormodus.

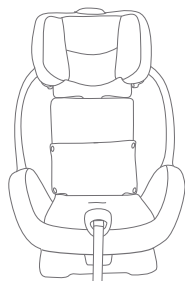


45



4. Lösen Sie die Druckknöpfe 45 -1 und den Klettverschluss an der Sitzauflage. 45 -2
 5. Heben Sie die obere Lasche der Sitzauflage an und ziehen Sie die untere Lasche nach vorne. Bewahren Sie dann Schultergurte 45 -3, Schnalle und Steckzungen in den entsprechenden Aufbewahrungsfächern auf. 45 -4
 6. Ziehen Sie die Schnalle durch den Schlitz in der Sitzauflage und verstauen Sie die Schnalle in ihrem Aufbewahrungsfach. 45 -5
 7. Bringen Sie die Druckknöpfe 45 -1 und den Klettverschluss 45 -2 wieder an, um die Sitzschale wiederherzustellen. 46
- ! Kehren Sie vom Junior- in den Kleinkindmodus zurück, indem Sie die obigen Schritte in umgekehrter Reihenfolge befolgen.

46



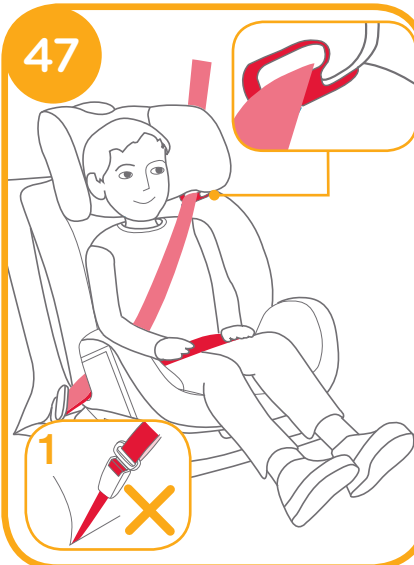
ii. Kind im Kinderrückhaltesystem sichern

a. Installation mit 3-Punkt-Gurt

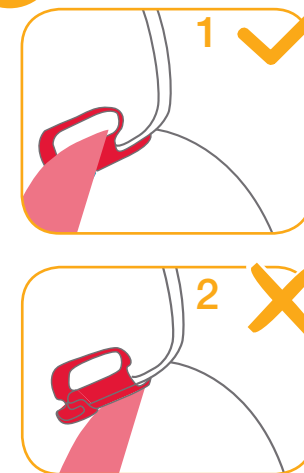
1. Setzen Sie das Kind in das Kinderrückhaltesystem und prüfen Sie, ob sich die Schultergurtführungen auf der richtigen Höhe befinden.
2. Führen Sie den Schultergurt durch die Schultergurtführung und den Beckengurt durch die Beckengurtführungen. Befestigen Sie die Schnalle und ziehen Sie den Fahrzeuggurt fest. 47

- ! Der Schultergurt muss die Schultergurtführung passieren. 48 -1
- ! Der Beckengurt muss durch die Beckengurtführungen geführt werden.
- ! Das Kinderrückhaltesystem kann nicht verwendet werden, wenn der Verschluss (Gurtschloss) des Fahrzeugsicherheitsgurtes zu lang ist, um das Kinderrückhaltesystem fest zu verankern. 47 -1

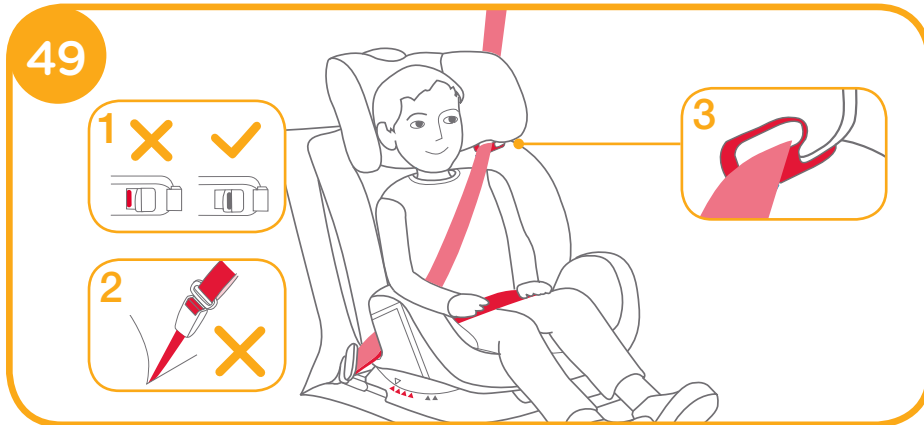
- ! Sichern Sie das Kind niemals allein mit einem Beckengurt.
- ! Verwenden Sie keinen lockeren oder unter dem Arm positionierten Schultergurt.
- ! Verwenden Sie keinen hinter dem Rücken des Kindes verlaufenden Schultergurt.
- ! Achten Sie darauf, dass das Kind im Kinderrückhaltesystem nicht nach unten rutschen kann; andernfalls besteht Strangulationsgefahr.
- ! Bei Nichtbenutzung MUSS der obere Haltegurt angemessen aufbewahrt werden. Verstauen Sie den oberen Haltegurt ordnungsgemäß, indem Sie darauf achten, dass der Gurt nicht durchhängt; andernfalls könnte er während der Fahrt umher geschleudert werden. 40



48



b. Installation mit 3-Punkt-Gurt und ISOFIX-Befestigungen

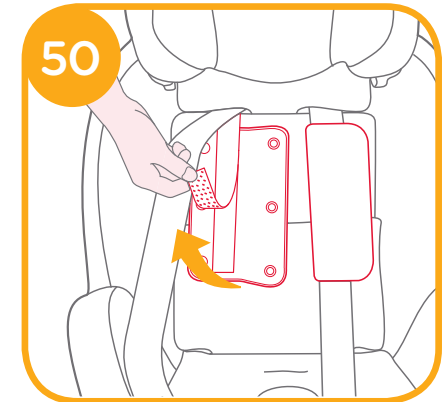


1. Installation mit ISOFIX-Befestigungen, siehe 29 - 33
 2. Setzen Sie das Kind in das Kinderrückhaltesystem und prüfen Sie, ob sich die Schultergurtführungen auf der richtigen Höhe befinden.
 3. Installation mit 3-Punkt-Gurt, siehe 47 - 48
 4. Richtig befestigter 3-Punkt-Gurt und ISOFIX-Befestigungen, siehe 49
- ! Achten Sie darauf, dass beide ISOFIX-Befestigungen gut an ihren ISOFIX-Verankerungspunkten befestigt sind. Die Anzeigen an beiden ISOFIX-Befestigungen sollten vollständig grün sein. 49 -1
 - ! Vergewissern Sie sich, dass das Kinderrückhaltesystem sachgemäß installiert ist, indem Sie an beiden ISOFIX-Befestigungen ziehen.
 - ! Der Schultergurt muss durch die Schultergurtführung geführt werden. 49 -3
 - ! Der Beckengurt muss durch die Beckengurtführungen geführt werden.
 - ! Das Kinderrückhaltesystem kann nicht verwendet werden, wenn die Schnalle des Fahrzeugsicherheitsgurts (weibliches Ende) zu lang zur sicheren Verankerung des Kinderrückhaltesystems ist. 49 -2
 - ! Sichern Sie das Kind niemals allein mit einem Beckengurt.
 - ! Verwenden Sie keinen lockeren oder unter dem Arm positionierten Schultergurt.
 - ! Verwenden Sie keinen hinter dem Rücken des Kindes verlaufenden Schultergurt.
 - ! Achten Sie darauf, dass das Kind im Kinderrückhaltesystem nicht nach unten rutschen kann; andernfalls besteht Strangulationsgefahr.
 - ! Bei Nichtbenutzung MUSS der obere Haltegurt angemessen aufbewahrt werden. Verstauen Sie den oberen Haltegurt ordnungsgemäß, indem Sie darauf achten, dass der Gurt nicht durchhängt; andernfalls könnte er während der Fahrt umher geschleudert werden. 40

Textilteile entfernen

siehe Abbildungen 50

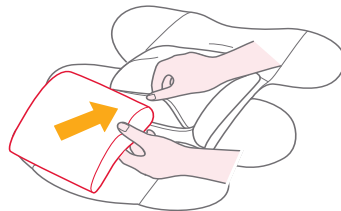
1. Drücken Sie den roten Knopf zum Lösen der Schnalle.
 2. Entfernen Sie die Schulterpolster, indem Sie die Polster lösen und dann den mit Klettverschluss befestigten Gurt entfernen. 50
 3. Entfernen Sie Kleinkindeinsatz und Schrittpolster.
 4. Lösen Sie den Klettverschluss 45 -2 an der Kopfstütze von den Schlitz in den Führungen des Fahrzeugschultergurts; entfernen Sie dann den Bezug der Kopfstütze.
 5. Lösen Sie die Druckknöpfe an den Seiten des Sitzpolsters. 45 -1
 6. Lösen Sie die elastischen Riegel hinter der Kopfstütze von der Sitzschale.
 7. Lösen Sie die Textilbefestigung von der oberen Rückseite der Sitzschale.
 8. Ziehen Sie die Schnalle durch den Schlitz im Sitzpolster und entfernen Sie dann das Sitzpolster aus der Sitzschale.
- ! Zur Anbringung der Textilteile in umgekehrter Reihenfolge vorgehen.



Wartung

- ! Nachdem Sie den Schaumstoff aus dem Kleinkindeinsatz entfernt haben, bewahren Sie ihn bitte an einem für Kinder unzugänglichen Ort auf.
- ! Bitte waschen Sie die Textilteile mit kaltem Wasser unter 30 °C.
- ! Sie dürfen die Textilteile nicht bügeln.
- ! Sie dürfen die Textilteile nicht bleichen oder in die chemische Reinigung geben.
- ! Keine unverdünnten Neutralreiniger, Benzin oder organische Lösungsmittel zum Reinigen des Kinderrückhaltesystems verwenden. Diese können das Kinderrückhaltesystem beschädigen.
- ! Sie dürfen die Textilteile nicht auswringen. Andernfalls könnten an den Textilteilen Falten zurückbleiben.
- ! Bitte hängen Sie die Textilteile zum Trocknen im Schatten auf.
- ! Nehmen Sie bitte das Kinderrückhaltesystem aus dem Fahrzeugsitz heraus, wenn es längere Zeit nicht benutzt wird. Bewahren Sie das Kinderrückhaltesystem im Schatten und außerhalb der Reichweite des Kindes auf.
- ! Entfernen Sie den Schaumstoffeinsatz aus dem Kleinkindeinsatz, bevor Sie ihn in der Maschine waschen.

Bitte beachten Sie beim erneuten Einsetzen des Schaumstoffeinsatzes im Kleinkindeinsatz die Abbildung.



Hinweis



Joie Children's Products (UK) Ltd,
Venture Point, Towers Business Park,
Rugeley, Staffordshire, WS15 1UZ

bring the kids™

Share the joy at www.joiebaby.com

P-IM0412A_1